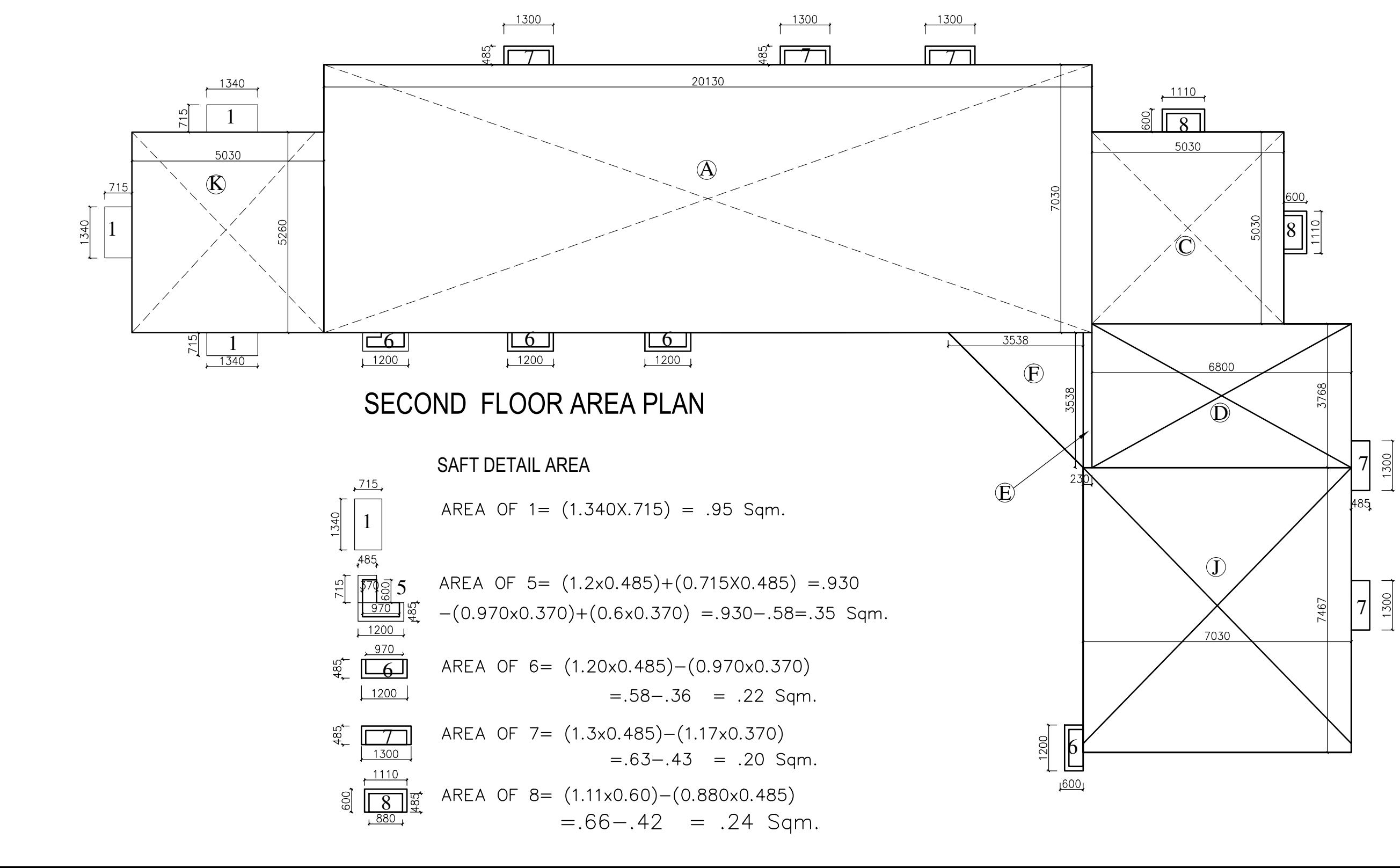
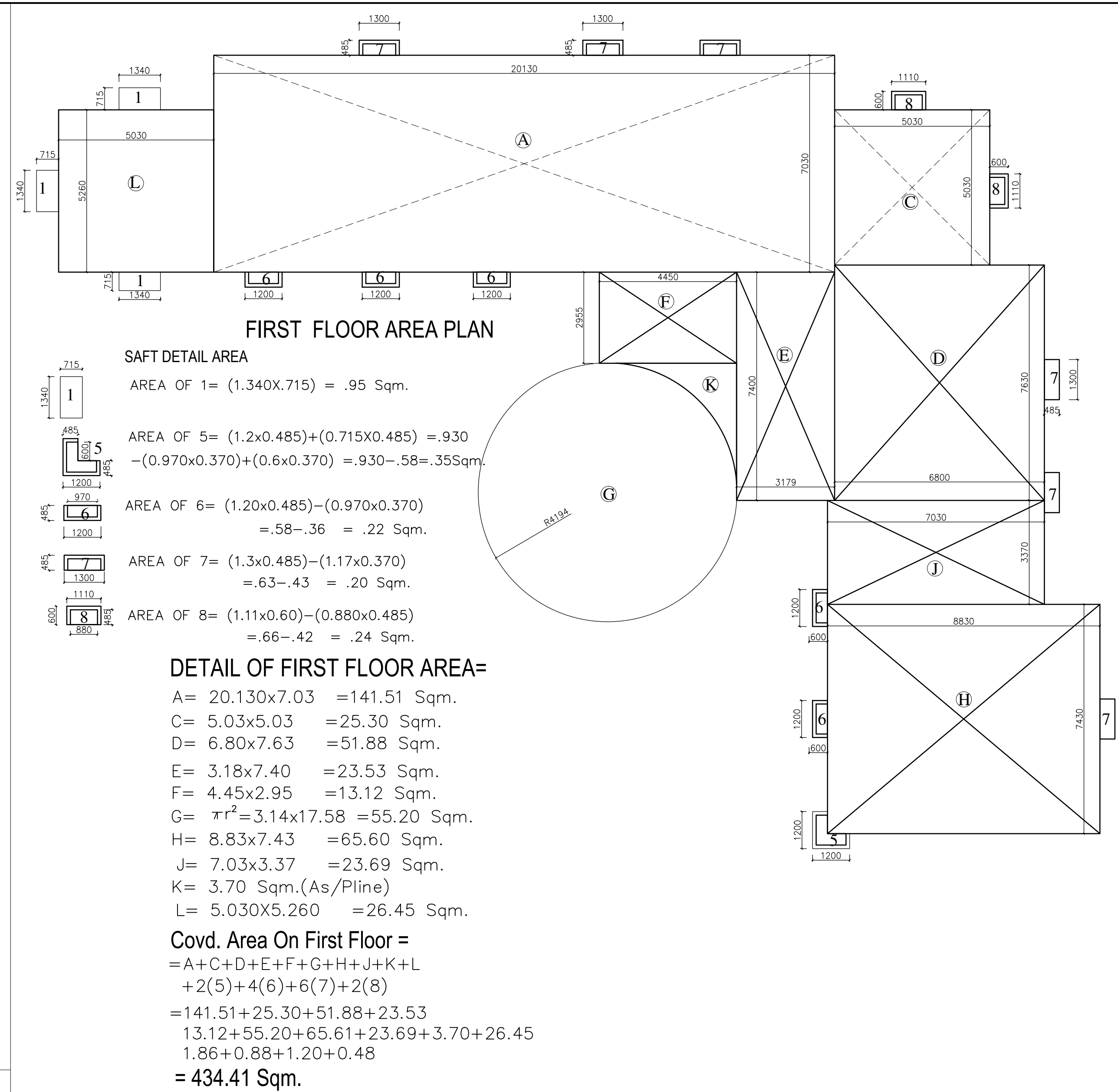
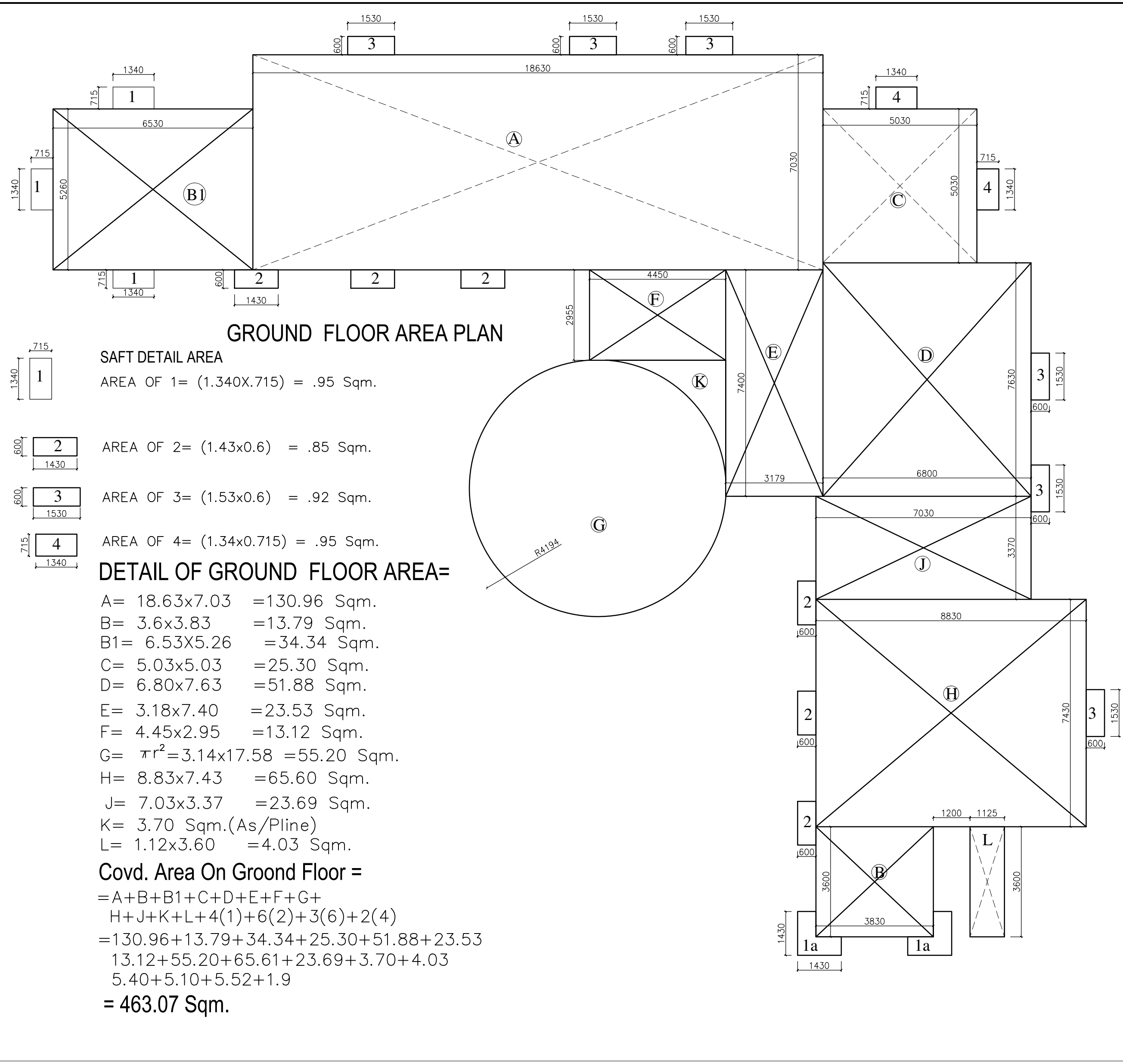


This drawing with all its contents is the sole intellectual property of the Hospital Services Consultancy Corporation (India) Ltd. Copying of this drawing or part thereof or its use in any form whatsoever without the written permission of HSCC is prohibited.

NOTES



COVD.AREA ON GROUND FLOOR = 463.07 SQ.M.
 COVD.AREA ON FIRST FLOOR = 434.41 SQ.M.
 COVD.AREA ON SECOND FLOOR = 280.92 SQ.M.
TOTAL COVD.AREA ON ALL FLOORS = 1178.4 SQ.M.

REV	DATE	DESCRIPTION
REVISION		

PROJECT
 National Institute of Malaria Research (NIMR) at Dwarka, DELHI

TITLE
 TENDER DRAWING
 HOSTEL

AREA STATEMENT

HSCC/263/006/MD/HOST/017/R
 Drawing No.

HSCC/263 Job No.	NTS Scale	18/09/2015 Date
---------------------	--------------	--------------------

App by	Rev. by	Prep. by
--------	---------	----------

HSCC (INDIA) LIMITED
 (A GOVERNMENT OF INDIA ENTERPRISES)

HSCC
 NEW DELHI INDIA

This drawing with all its contents is the sole intellectual property of the Hospital Services Consultancy Corporation (India) Ltd. Copying or its use in any form whatsoever without the written permission of HSCC is prohibited.

NOTES

SCHEDULE OPENINGS

S.N.	TYPE	SIZE	CILL	LINTEL LVL.
1	D1	1010x2100	00	2100
2	D3	750x2100	00	2100
3	DS1	2000x2700	00	2700
4	DS2	1200x2100	00	2100
5	W1	1170x900/Elc.		
6	W2	800x1800	600	2700
7	W3	1600x1100	900	2700
8	W4	1600x2100	600	2700
9	W5	850x2100	600	2700
10	V1	600x750	1950	2700
11	V2	750x750	1950	2700
12	RS1	1500x2100	00	2100
13	FCD	1500x2100	00	2100
14	D4	1500x2100	00	2100

REV	DATE	DESCRIPTION
REVISION		

PROJECT
National Institute of Malaria Research (NIMR) at Dwarka, DELHI

TITLE
TENDER DRAWING
HOSTEL

ELEVATIONS

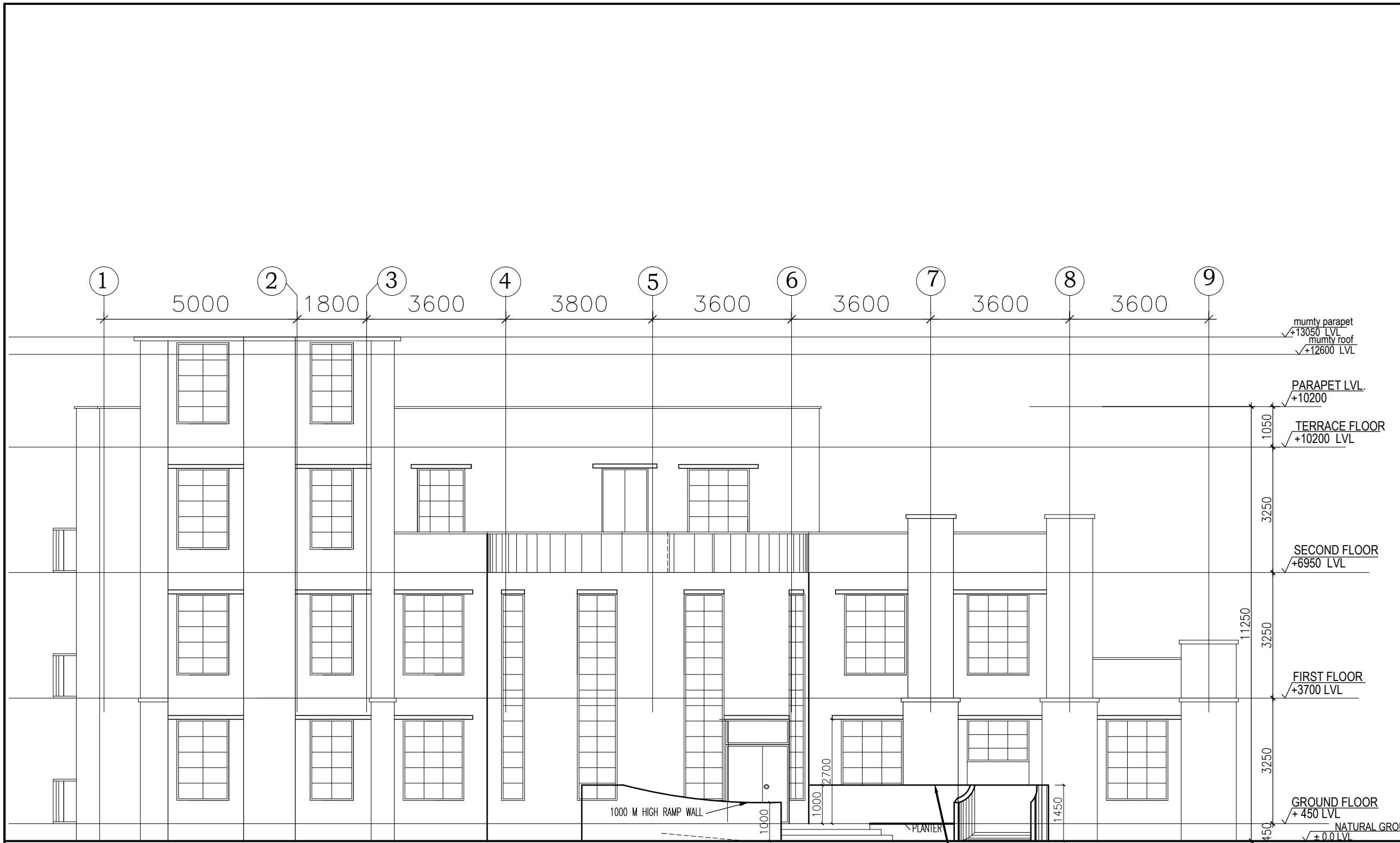
HSCC/263/006/MD/HOST/016/R
Drawing No.

HSCC/263 Job No.	1:100 Scale	18/09/2015 Date
---------------------	----------------	--------------------

App by	Rev. by	Prep. by
--------	---------	----------

HSCC (INDIA) LIMITED
(A GOVERNMENT OF INDIA ENTERPRISES)

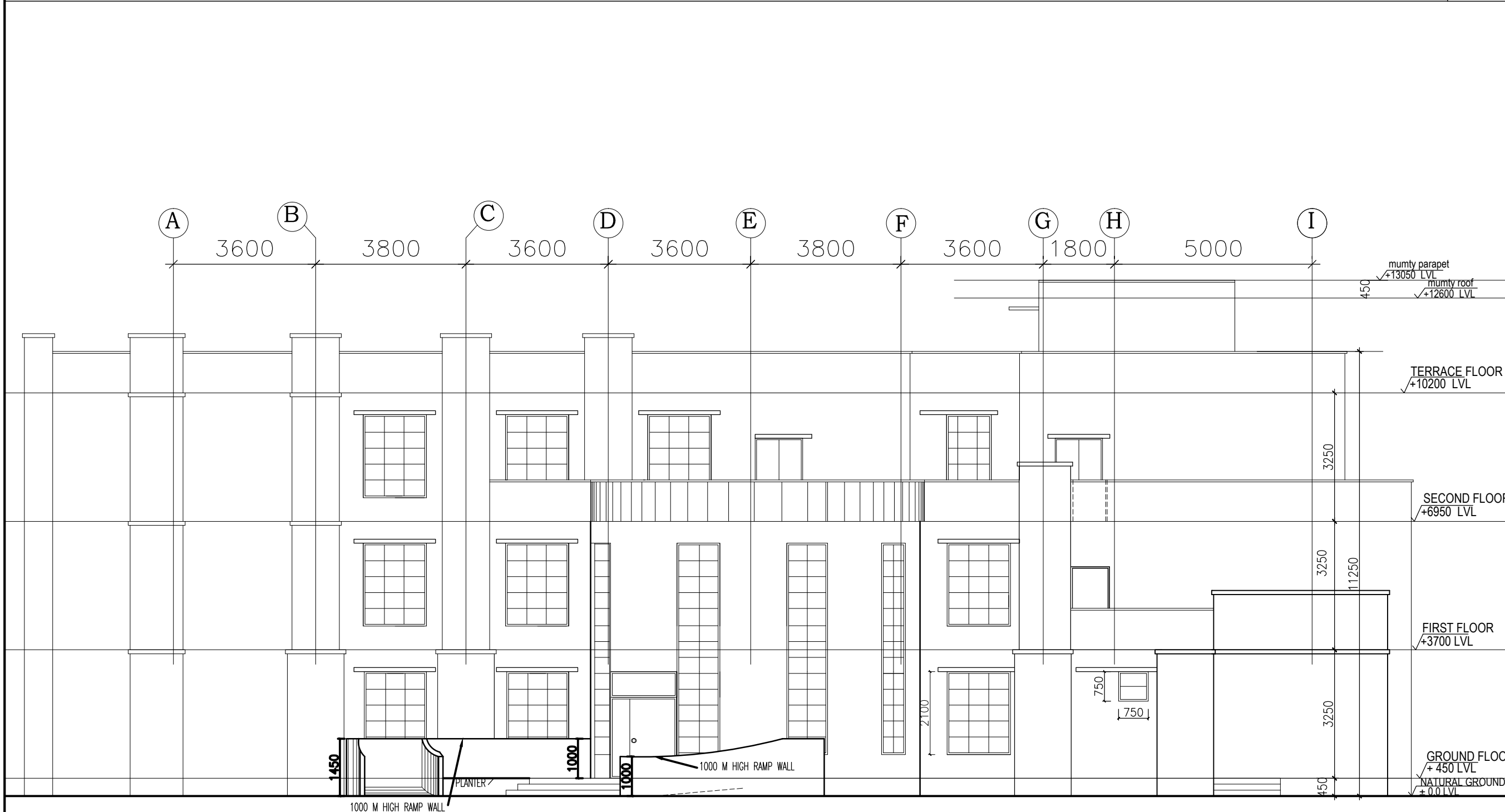
HSCC
NEW DELHI INDIA



ELEVATION "A"



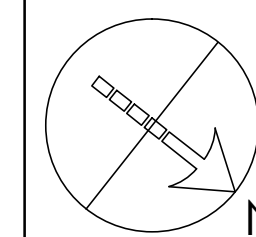
ELEVATION "D"



ELEVATION "B"



ELEVATION "C"

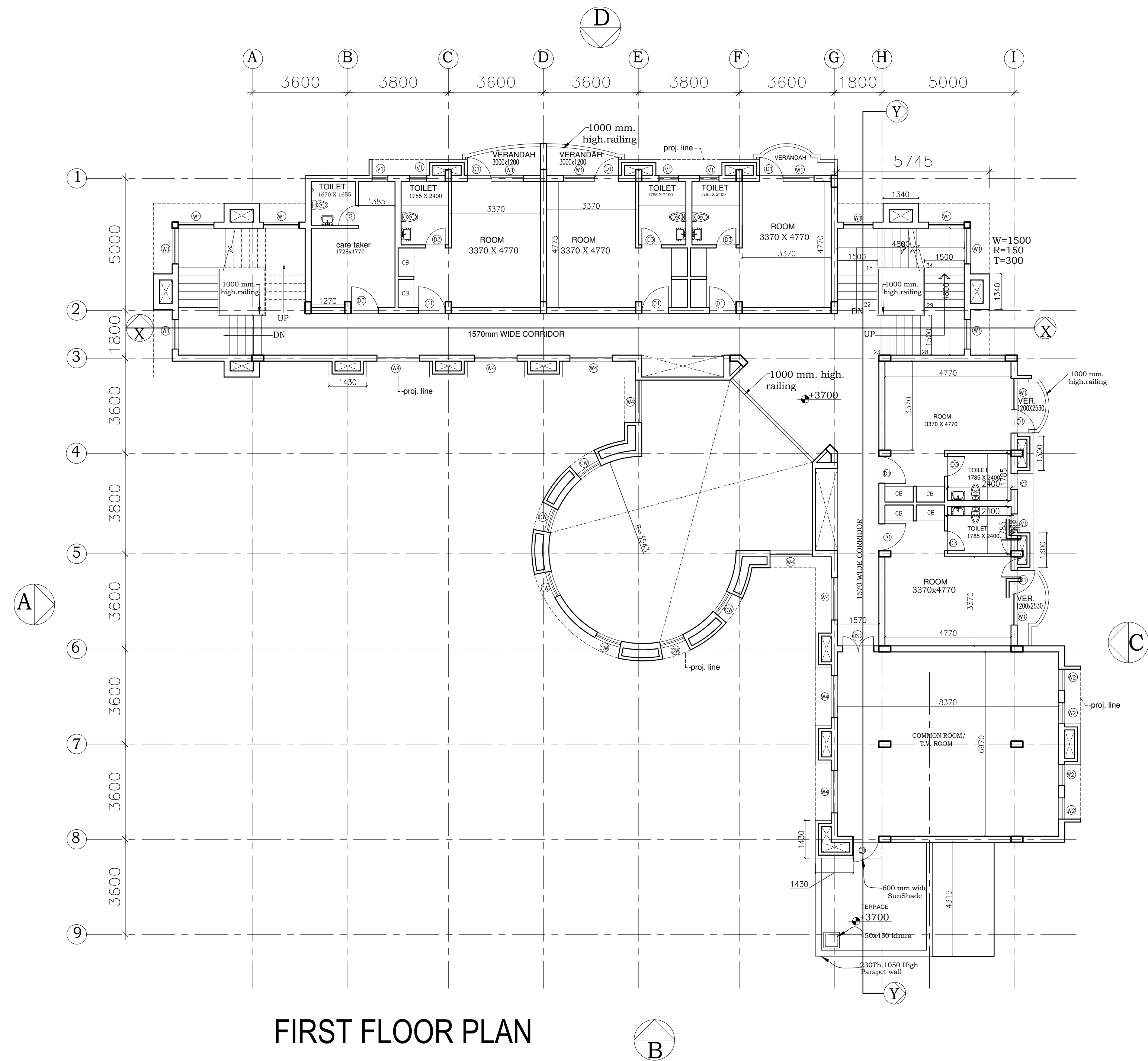


This drawing with all its contents is the sole intellectual property of the Hospital Services Consultancy Corporation (India) Ltd. Copying or its use in any form whatsoever without the written permission of HSCC is prohibited.

NOTES

SCHEDULE OPENINGS

S.N.	TYPE	SIZE	CHILL	LINTEL LVL.
1	D1	1010x2100	00	2100
2	D3	750x2100	00	2100
3	DS1	2000x2700	00	2700
4	DS2	1200x2100	00	2100
5	W1	1170x900/El.e.		
6	W2	800x1800	600	2700
7	W3	1600x1100	900	2700
8	W4	1600x2100	600	2700
9	W5	850x2100	600	2700
10	V1	600x750	1950	2700
11	V2	750x750	1950	2700
12	RS1	1500x2100	00	2100
13	FCD	1500x2100	00	2100
14	D4	1500x2100	00	2100



FIRST FLOOR PLAN

REV	DATE	DESCRIPTION
REVISION		

PROJECT
National Institute of Malaria Research (NIMR) at Dwarka, DELHI

TITLE
TENDER DRAWING
HOSTEL

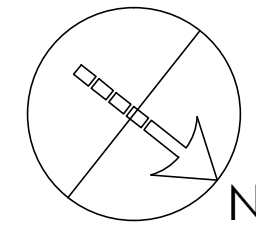
FIRST FLOOR PLAN

HSCC/263/006/MD/HOST/013/R
Drawing No.

HSCC/263 Job No.	1:100 Scale	18/09/2015 Date
---------------------	----------------	--------------------

App by Rev. by Prep. by

HSCC (INDIA) LIMITED
(A GOVERNMENT OF INDIA ENTERPRISES)
HSCC
NEW DELHI INDIA



This drawing with all its contents is the sole intellectual property of the Hospital Services Consultancy Corporation (India) Ltd. Copying of this drawing or part thereof or its use in any form whatsoever without the written permission of HSCC is prohibited.

NOTES

SCHEDULE OPENINGS

S.N.	TYPE	SIZE	CILL	LINTEL LVL.
1	D1	1010x2100	00	2100
2	D3	750x2100	00	2100
3	DS1	2000x2700	00	2700
4	DS2	1200x2100	00	2100
5	W1	1170xas/Ele.		
6	W2	800x1800	600	2700
7	W3	1600x1100	900	2700
8	W4	1600x2100	600	2700
9	W5	850x2100	600	2700
10	V1	600x750	1950	2700
11	V2	750x750	1950	2700
12	RS1	1500x2100	00	2100
13	FCD	1500x2100	00	2100
14	D4	1500x2100	00	2100

NOTES:-
On Ground Floor FGL will be finished as/Handicapped Requirement.

REV	DATE	DESCRIPTION
REVISION		

PROJECT

National Institute of Malaria Research (NIMR) at Dwarka, DELHI

TITLE

TENDER DRAWING
HOSTEL

GROUND FLOOR PLAN

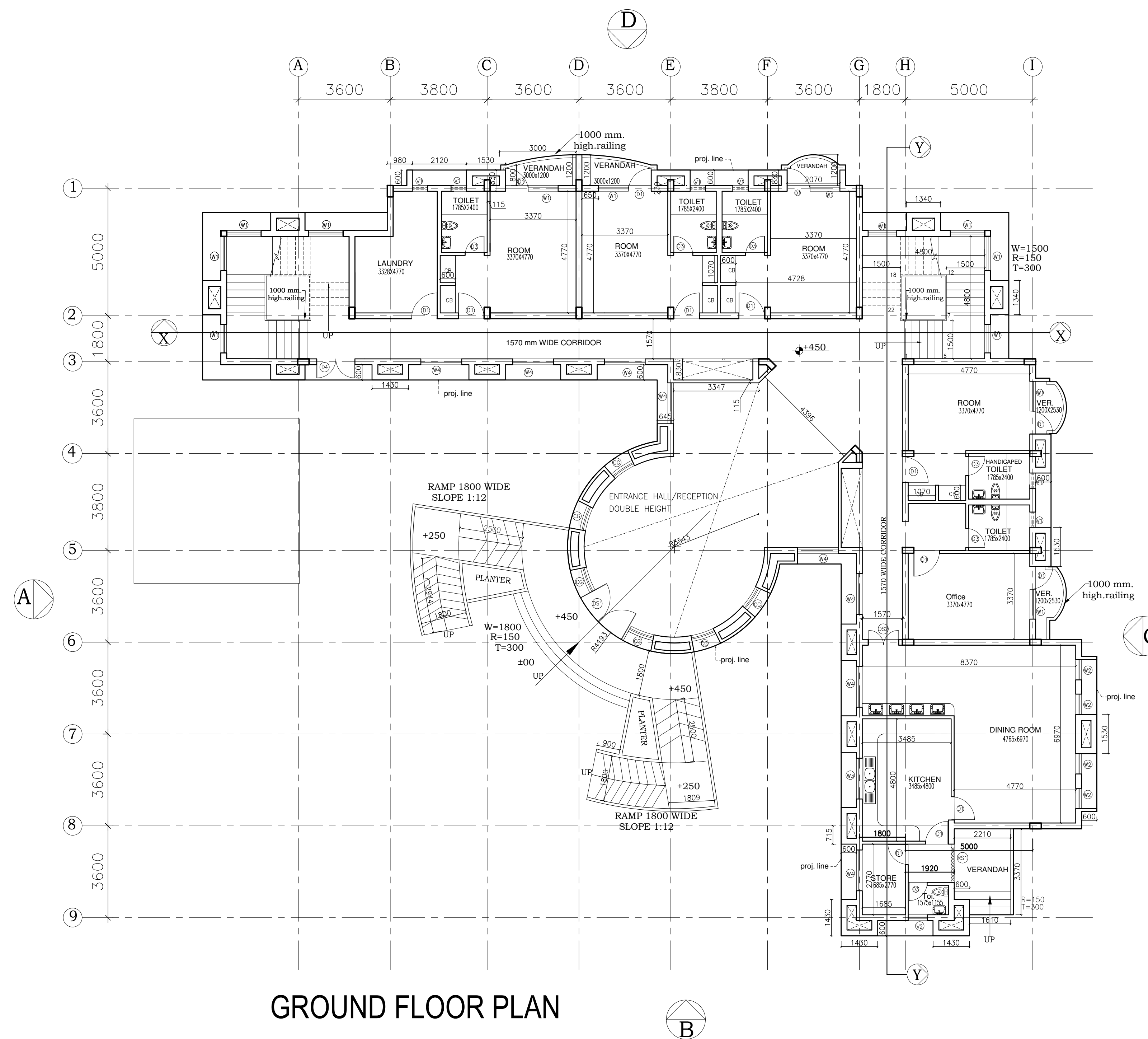
HSCC/263/006/MD/HOST/012/R
Drawing No.

HSCC/263 Job No.	1:100 Scale	18/09/2015 Date
---------------------	----------------	--------------------

App by	Rev. by	Prep. by
--------	---------	----------

HSCC (INDIA) LIMITED
(A GOVERNMENT OF INDIA ENTERPRISES)

HSCC
NEW DELHI INDIA



GROUND FLOOR PLAN