

**CHHATTISGARH MEDICAL SERVICES CORPORATION
LIMITED**

(Government of Chhattisgarh)

Tender

For

Construction of Regional Drug Warehouse at Bilaspur (C.G.), under
National Rural Health Mission scheme

Tender Drawings

VOLUME-VI

June' 2013



HSCC (INDIA) LTD.
(CONSULTANTS & ENGINEERS FOR MEGA HOSPITALS & LABORATORIES)
E-6(A), sector-1, NOIDA(U.P) 201301 (India)

Phone : 0120-2542436-40

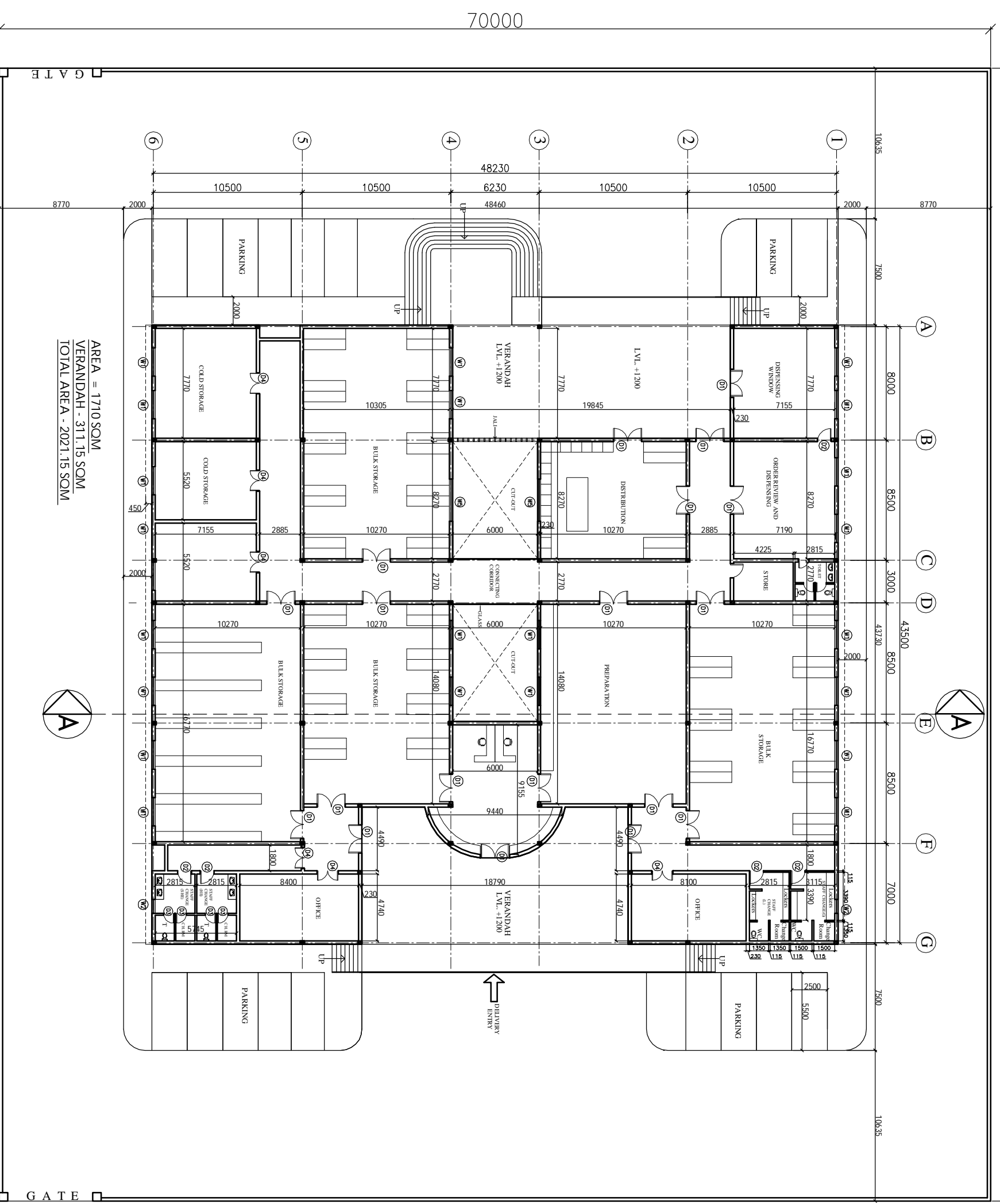
Fax : 0120-2542447

Tender No. HSCC/NRHM/CG./2013 (II) /17

This drawing shall be the property of the Government of India. No part of this drawing shall be reproduced or transmitted in any form or by any means, electronic, mechanical, photocopying, recording, or by any information storage and retrieval system, without the written permission of HSCC. In particular, the drawing shall not be used for any purpose other than that for which it was prepared. NOT REPRODUCED

NOTES

80000



AREA = 1710 SQM
 VERANDAH - 311.15 SQM
 TOTAL AREA - 2021.15 SQM



PROJECT	PROPOSED DRUG WAREHOUSE
AREA	AREA - 2021 SQM
TITLE	TENDER DRAWING (ARCHITECTURE)
FLOOR PLAN	
HSCC/ID/CH. WAREHOUSE/01	R-0
Drawing No.	Revision
Job No.	1:300
Scale	Date: 22-04-2013
App. By.	Rev. By.
Prep. By.	

HSCC
 HSCC (INDIA) LIMITED
 (A GOVERNMENT OF INDIA ENTERPRISE)
 NEW DELHI INDIA

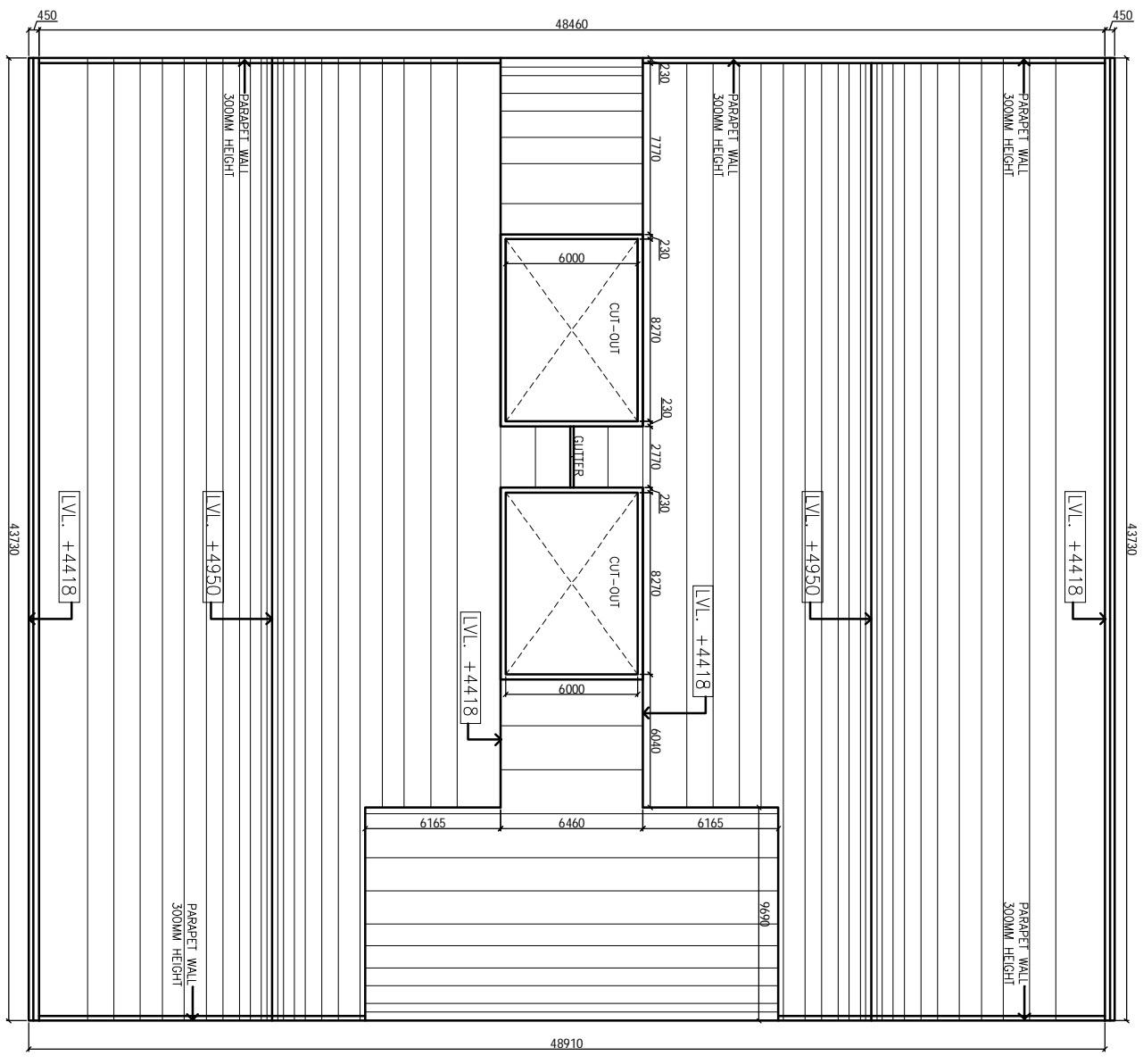
This drawing shall be the
 Intellectual Property of the
 Government of India.
 No part of this drawing shall
 be reproduced, stored in a
 retrieval system, or transmitted
 in any form or by any means
 (electronic, mechanical, photocopying,
 recording, or otherwise) without the
 prior written permission
 of HSCC. Infringement
 will be prosecuted.
 DRAWINGS TO BE READ
 NOT REVERSED

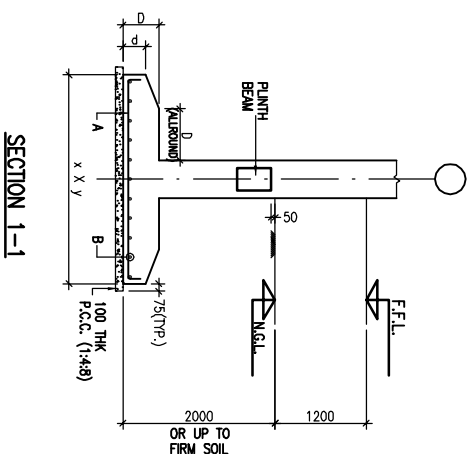
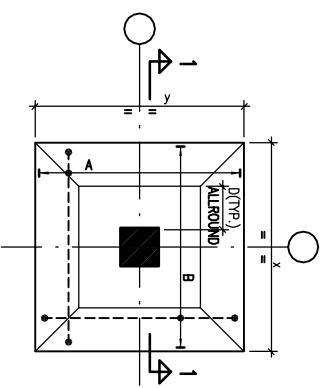
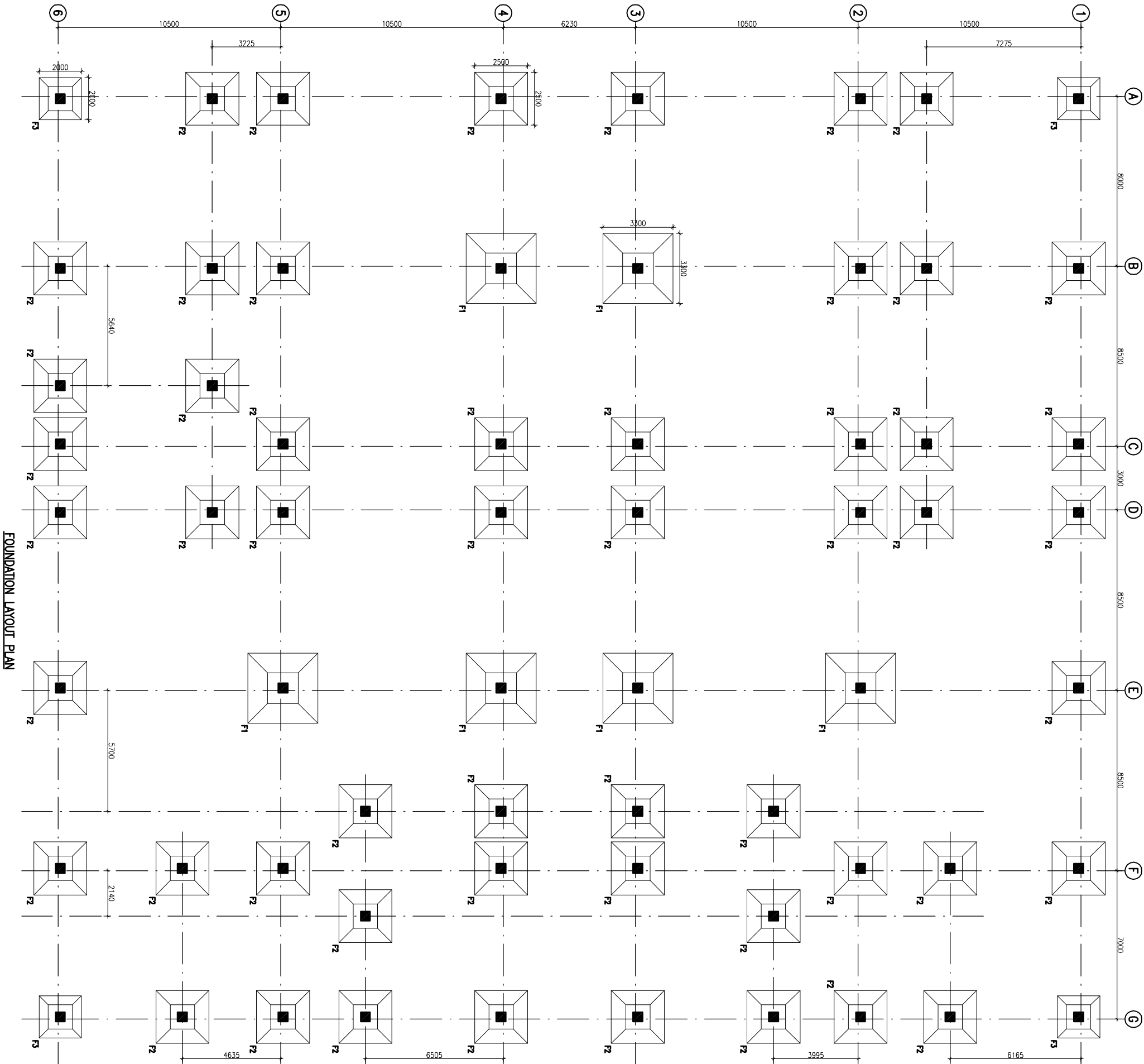
NOTES

PROJECT
PROPOSED
DRUG WAREHOUSE

TITLE
TENDER DRAWING
(ARCHITECTURE)
TERRACE PLAN

HSCC/MD/CH. WAREHOUSE/02		R-0
Drawing No.	Revision	
Job No.	1:300	Date: 22-04-2013
Scale		
App. By.	Rev. By.	Prep. By.





FOOTING SCHEDULE

S.No.	IND.	SIZE (x x y)	(A)	(B)	(C)	(D)	REMARKS
1	F1	3300x3300	300	500			TAPERED
2	F2	2500x2500	250	400			TAPERED
3	F3	2000x2000	250	350			TAPERED

NOTES

1. ALL DIMENSIONS ARE IN mm & LWS IN m.
2. READ IN CONJUNCTION WITH RELEVANT ARCH. DRG.
3. FINISHED FLOOR LVL TO BE CONFIRMED AS/ARCH. DRGS. THE SLAB TOP LEVEL TO BE WORKED OUT SUITABLY CONSIDERING FLOOR FINISH THICKNESS.
4. CLEAR COVER OF R/F TO BE AS BELOW:-
FOUNDATION = 50mm
COLUMN = 40mm
BEAM = 30mm
SLAB = 25mm
5. CONC. MK. TO BE M-25 FOR ALL RCC WORK AS PER IS:456-2000
6. ALL R/F BARS TO BE F650 Mpa. HTSD OR TMT STEEL AS PER IS:1786.
7. ALL LAP LENGTHS = 50xSMALLER BAR Ø.
8. DEVELOPMENT LENGTH = 50ØBAR Ø.
9. SPC ASSUMED 120 N/M² AT 2.0 METER BELOW N.C.L.

REVISION

REV.	DATE	DESCRIPTION
0	26.04.15	FOR TENDER

PROJECT

PROPOSED
DRUG WAREHOUSE
RANCH PROJECT
CHATTISGARH

TITLE

FOUNDATION LAYOUT PLAN

HSCC/RANCH/DWG/ST-1-001

Drawing No. REV. 0

HSCC/RANCH 1:100 APRIL-2013

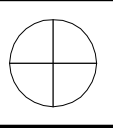
FOR No. SCALE DATE

APPROVED

HSCC INDIA LTD.
A GOVERNMENT OF INDIA ENTERPRISE

HSCC
INDIA

NEW DELHI



This drawing, with all its contents is the sole intellectual property of the Hospital. All the Copyright of this drawing or part thereof or its use in any form whatsoever without the written permission of HSCC is prohibited.

NOTES

1. ALL DIMENSIONS ARE IN mm & LMS IN m.
2. READ IN CONJUNCTION WITH RELEVANT ARCH. DRG.
3. FINISHED FLOOR LVL TO BE CONFIRMED AS/ARCH. DRGS. THE SLAB TOP LEVEL TO BE WORKED OUT SUITABLY CONSIDERING FLOOR FINISH THICKNESS.
4. CLEAR COVER OF R/F TO BE AS BELOW:-
FOUNDATION = 50mm
COLUMN = 40mm
BEAM = 30mm
SLAB = 25mm
5. CONC. MIX. TO BE M-25 FOR ALL RCC WORK AS PER IS:456-2000
6. ALL R/F BARS TO BE F650 Mpa. HTSD OR TMT STEEL AS PER IS:1786.
7. ALL LAP LENGTHS = 50xSMALLER BAR Ø. SITE REQUIREMENT
8. DEVELOPMENT LENGTH = 50xBAR Ø.

REV	DATE	DESCRIPTION
0	26.04.15	FOR TENDER

PROJECT

PROPOSED
DRUG WAREHOUSE
RANCH PROJECT
CHATTISGARH

TITLE

COLUMN LAYOUT PLAN

HSCC/RAJNAGA/DWG/ST-7-2002

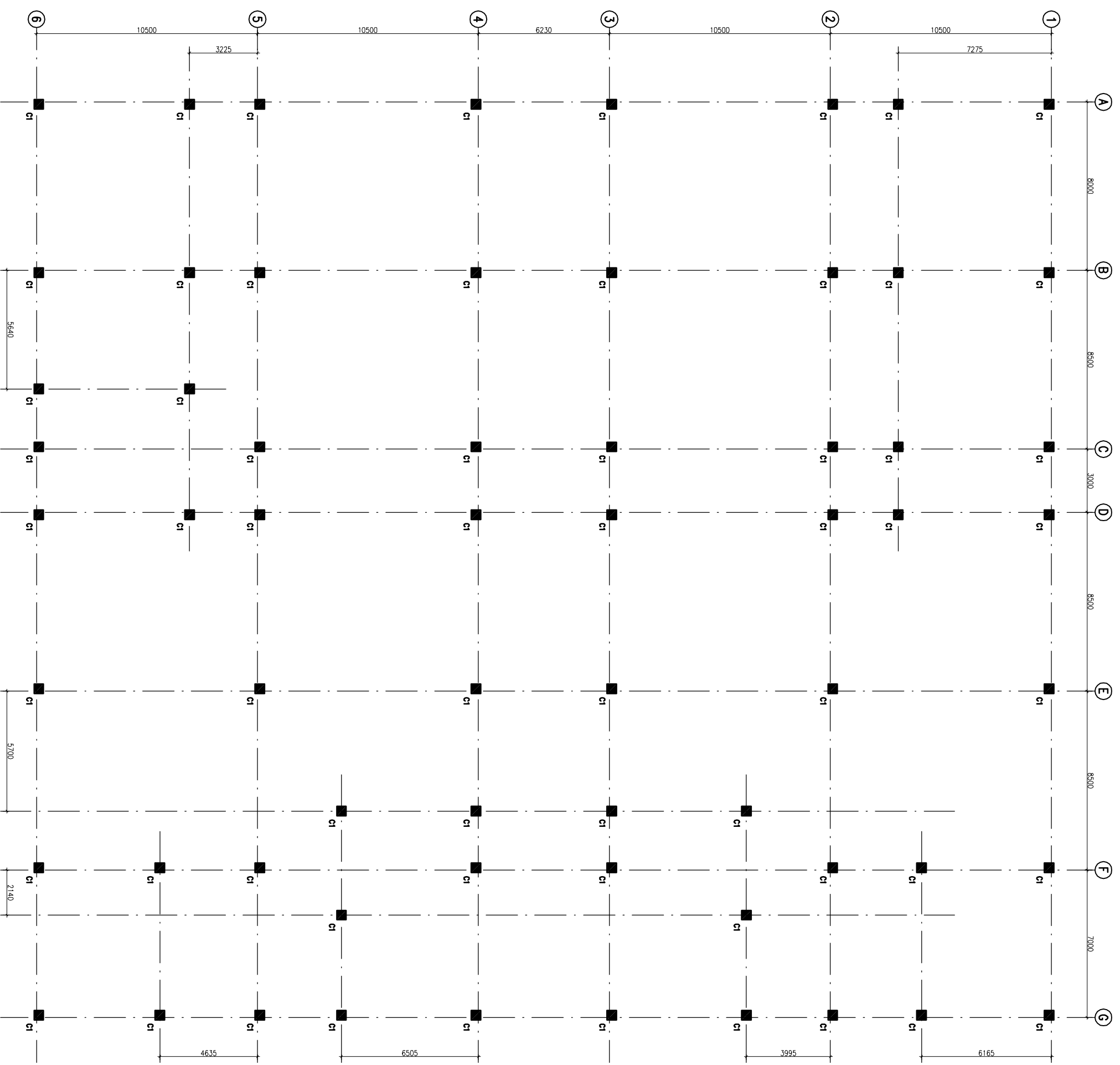
Drawing No. REVY. 0

HSCC/RMNH 1:100 APRIL-2013

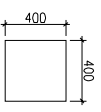
APPROVED	REVIEWED	PREPARED

HSCC INDIA LTD.
A GOVERNMENT OF INDIA ENTERPRISE

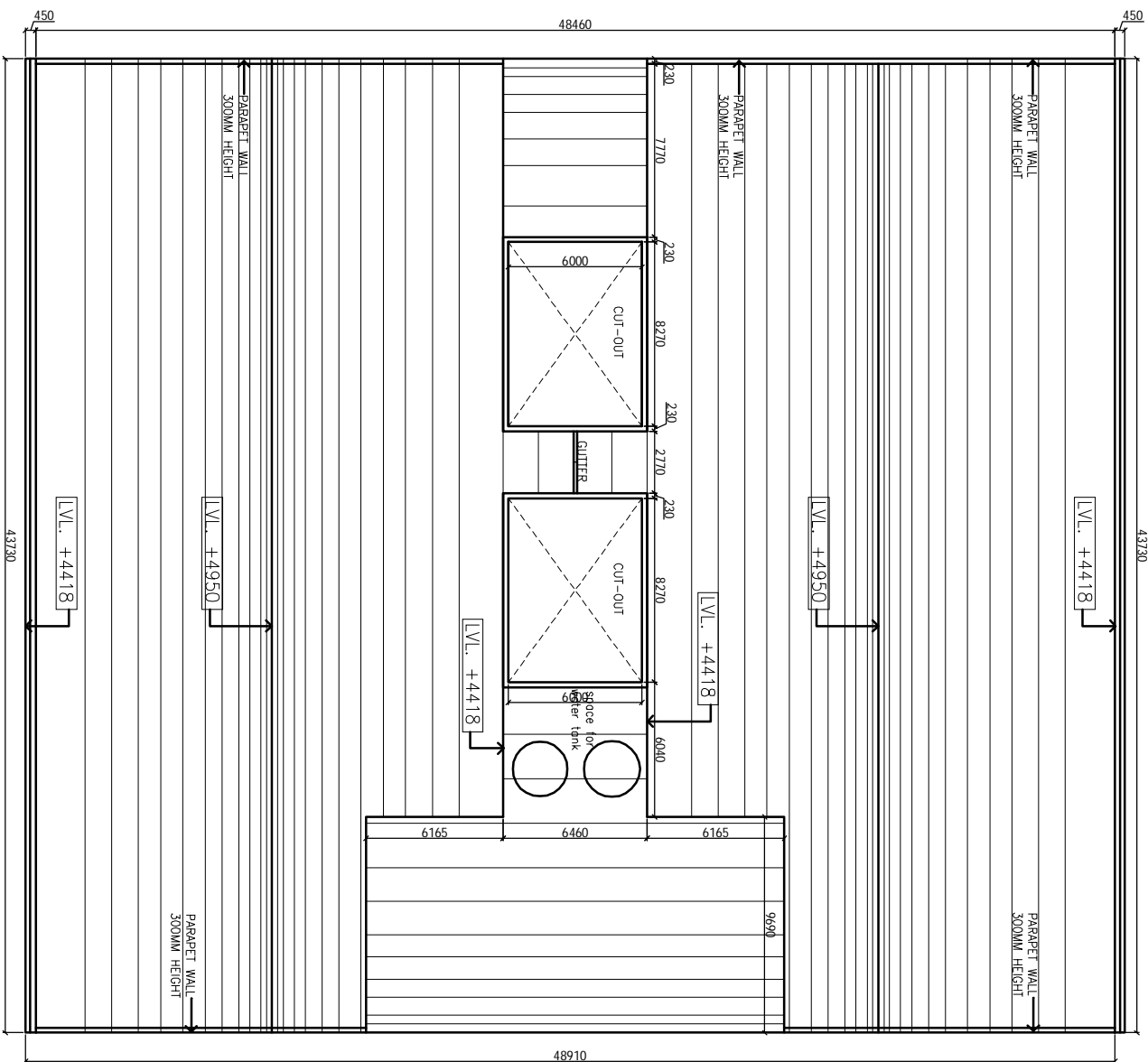
HSCC
INDIA
NEW DELHI



COLUMN MKD. C1



COLUMN LAYOUT PLAN



1. BASED ON THIS DRAWING EXECUTING AGENCY WILL PREPARE SHOP DRAWING AFTER INCORPORATING THE CHANGES AS PER SITE CONDITION FOR THE APPROVAL OF ENGINEER-IN-CHARGE BEFORE START OF WORK.
 2. THE NO. & LOCATION OF FITURES TO BE FINALIZED BEFORE EXECUTION WITH MEDICAL IN-CHARGE OF PROJECT.

THIS DRAWING IS THE PROPERTY OF HSCC (INDIA) LIMITED. IT IS NOT TO BE REPRODUCED OR TRANSMITTED IN ANY FORM OR BY ANY MEANS, ELECTRONIC OR MECHANICAL, INCLUDING PHOTOCOPYING, RECORDING, OR BY ANY INFORMATION STORAGE AND RETRIEVAL SYSTEM, WITHOUT THE WRITTEN PERMISSION OF HSCC (INDIA) LIMITED.
 DRAWINGS TO BE READ NOT REVERSED

NOTES

PROJECT

PROPOSED DRUG WAREHOUSE AT CHATTISGARH

TITLE - PLUMBING

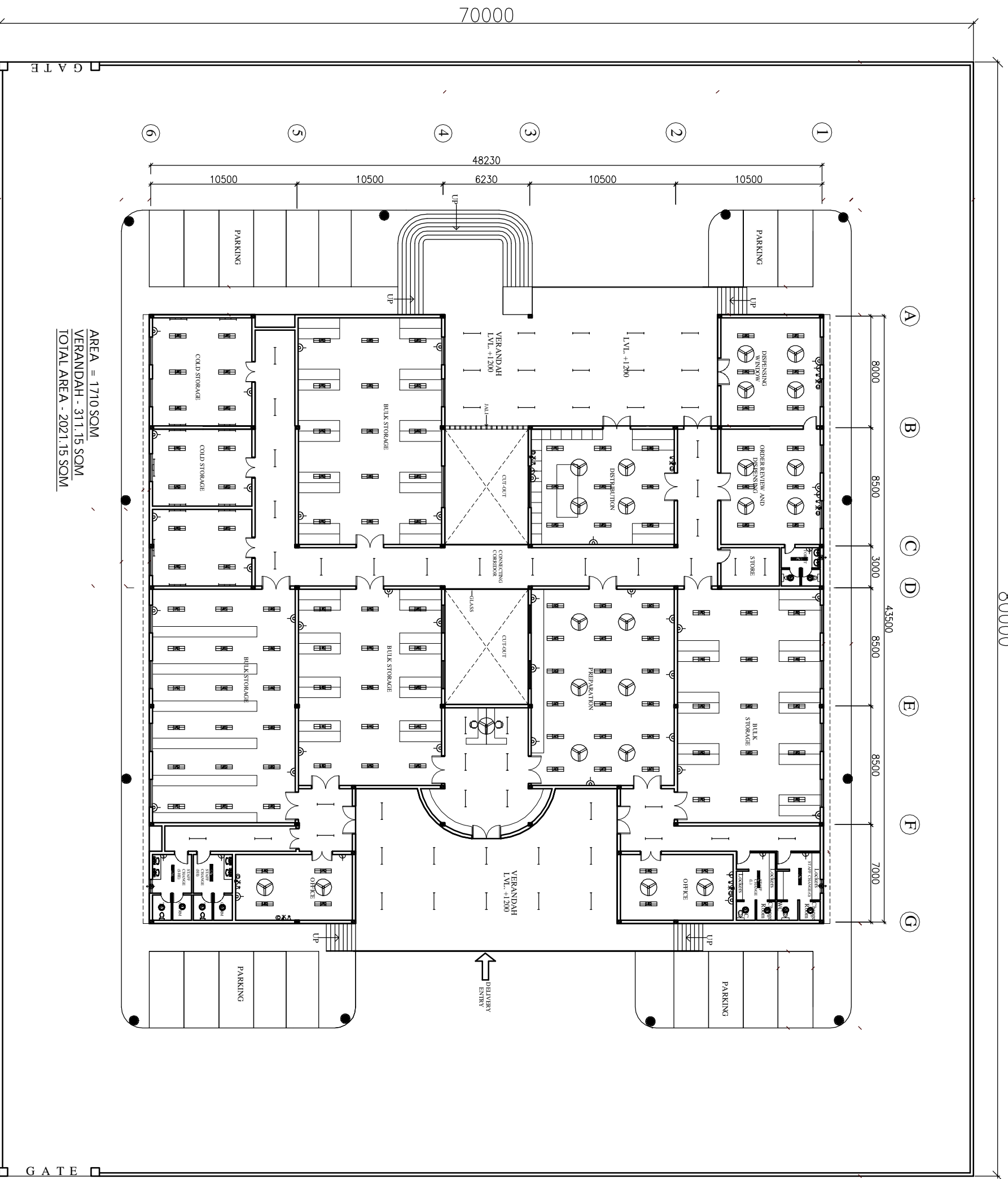
TENDER DRAWING

TERRACE PLAN

BSCC/AR/ICE WAREHOUSE/TP/02

Drawing No.	BSCC/AR/ICE WAREHOUSE/TP/02	
Job No.	1:300	Date: April 2013
Scale		
App. By.	Rev. By.	Prep. By.

HSCC
 HSCC (INDIA) LIMITED
 (A GOVERNMENT OF INDIA ENTERPRISE)
 NEW DELHI INDIA



AREA = 1710 SQM
 VERANDAH - 311.15 SQM
 TOTAL AREA - 2021.15 SQM

S.No.	SYMBOL	DESCRIPTION
1	○	100 MM CEILING FIN
2	○	1200 MM X 2400 MM TYP. REINFORCED CONCRETE SLAB (RCC) WITH 150 MM TOP AND 200 MM BOTTOM REINFORCEMENT
3	○	2000 MM X 2000 MM CERAMIC TILES (RCC) WITH 150 MM TOP AND 200 MM BOTTOM REINFORCEMENT
4	○	2000 MM X 2000 MM CERAMIC TILES (RCC) WITH 150 MM TOP AND 200 MM BOTTOM REINFORCEMENT
5	○	2000 MM X 2000 MM CERAMIC TILES (RCC) WITH 150 MM TOP AND 200 MM BOTTOM REINFORCEMENT
6	○	2000 MM X 2000 MM CERAMIC TILES (RCC) WITH 150 MM TOP AND 200 MM BOTTOM REINFORCEMENT
7	○	2000 MM X 2000 MM CERAMIC TILES (RCC) WITH 150 MM TOP AND 200 MM BOTTOM REINFORCEMENT
8	○	2000 MM X 2000 MM CERAMIC TILES (RCC) WITH 150 MM TOP AND 200 MM BOTTOM REINFORCEMENT
9	○	2000 MM X 2000 MM CERAMIC TILES (RCC) WITH 150 MM TOP AND 200 MM BOTTOM REINFORCEMENT
10	○	2000 MM X 2000 MM CERAMIC TILES (RCC) WITH 150 MM TOP AND 200 MM BOTTOM REINFORCEMENT
11	○	2000 MM X 2000 MM CERAMIC TILES (RCC) WITH 150 MM TOP AND 200 MM BOTTOM REINFORCEMENT
12	○	2000 MM X 2000 MM CERAMIC TILES (RCC) WITH 150 MM TOP AND 200 MM BOTTOM REINFORCEMENT
13	○	2000 MM X 2000 MM CERAMIC TILES (RCC) WITH 150 MM TOP AND 200 MM BOTTOM REINFORCEMENT
14	○	2000 MM X 2000 MM CERAMIC TILES (RCC) WITH 150 MM TOP AND 200 MM BOTTOM REINFORCEMENT
15	○	2000 MM X 2000 MM CERAMIC TILES (RCC) WITH 150 MM TOP AND 200 MM BOTTOM REINFORCEMENT

NOTES

1. THE DRAWING SHALL BE IN ACCORDANCE WITH THE HSCC (INDIA) LIMITED STANDARD DRAWING SPECIFICATION (S.D.S.) (LATEST EDITION) AND THE HSCC (INDIA) LIMITED STANDARD DRAWING SPECIFICATION (S.D.S.) (LATEST EDITION) FOR ELECTRICAL DRAWINGS.

2. THE DRAWING SHALL BE IN ACCORDANCE WITH THE HSCC (INDIA) LIMITED STANDARD DRAWING SPECIFICATION (S.D.S.) (LATEST EDITION) AND THE HSCC (INDIA) LIMITED STANDARD DRAWING SPECIFICATION (S.D.S.) (LATEST EDITION) FOR ELECTRICAL DRAWINGS.

3. THE DRAWING SHALL BE IN ACCORDANCE WITH THE HSCC (INDIA) LIMITED STANDARD DRAWING SPECIFICATION (S.D.S.) (LATEST EDITION) AND THE HSCC (INDIA) LIMITED STANDARD DRAWING SPECIFICATION (S.D.S.) (LATEST EDITION) FOR ELECTRICAL DRAWINGS.

4. THE DRAWING SHALL BE IN ACCORDANCE WITH THE HSCC (INDIA) LIMITED STANDARD DRAWING SPECIFICATION (S.D.S.) (LATEST EDITION) AND THE HSCC (INDIA) LIMITED STANDARD DRAWING SPECIFICATION (S.D.S.) (LATEST EDITION) FOR ELECTRICAL DRAWINGS.

5. THE DRAWING SHALL BE IN ACCORDANCE WITH THE HSCC (INDIA) LIMITED STANDARD DRAWING SPECIFICATION (S.D.S.) (LATEST EDITION) AND THE HSCC (INDIA) LIMITED STANDARD DRAWING SPECIFICATION (S.D.S.) (LATEST EDITION) FOR ELECTRICAL DRAWINGS.

6. THE DRAWING SHALL BE IN ACCORDANCE WITH THE HSCC (INDIA) LIMITED STANDARD DRAWING SPECIFICATION (S.D.S.) (LATEST EDITION) AND THE HSCC (INDIA) LIMITED STANDARD DRAWING SPECIFICATION (S.D.S.) (LATEST EDITION) FOR ELECTRICAL DRAWINGS.

7. THE DRAWING SHALL BE IN ACCORDANCE WITH THE HSCC (INDIA) LIMITED STANDARD DRAWING SPECIFICATION (S.D.S.) (LATEST EDITION) AND THE HSCC (INDIA) LIMITED STANDARD DRAWING SPECIFICATION (S.D.S.) (LATEST EDITION) FOR ELECTRICAL DRAWINGS.

8. THE DRAWING SHALL BE IN ACCORDANCE WITH THE HSCC (INDIA) LIMITED STANDARD DRAWING SPECIFICATION (S.D.S.) (LATEST EDITION) AND THE HSCC (INDIA) LIMITED STANDARD DRAWING SPECIFICATION (S.D.S.) (LATEST EDITION) FOR ELECTRICAL DRAWINGS.

9. THE DRAWING SHALL BE IN ACCORDANCE WITH THE HSCC (INDIA) LIMITED STANDARD DRAWING SPECIFICATION (S.D.S.) (LATEST EDITION) AND THE HSCC (INDIA) LIMITED STANDARD DRAWING SPECIFICATION (S.D.S.) (LATEST EDITION) FOR ELECTRICAL DRAWINGS.

10. THE DRAWING SHALL BE IN ACCORDANCE WITH THE HSCC (INDIA) LIMITED STANDARD DRAWING SPECIFICATION (S.D.S.) (LATEST EDITION) AND THE HSCC (INDIA) LIMITED STANDARD DRAWING SPECIFICATION (S.D.S.) (LATEST EDITION) FOR ELECTRICAL DRAWINGS.

11. THE DRAWING SHALL BE IN ACCORDANCE WITH THE HSCC (INDIA) LIMITED STANDARD DRAWING SPECIFICATION (S.D.S.) (LATEST EDITION) AND THE HSCC (INDIA) LIMITED STANDARD DRAWING SPECIFICATION (S.D.S.) (LATEST EDITION) FOR ELECTRICAL DRAWINGS.

12. THE DRAWING SHALL BE IN ACCORDANCE WITH THE HSCC (INDIA) LIMITED STANDARD DRAWING SPECIFICATION (S.D.S.) (LATEST EDITION) AND THE HSCC (INDIA) LIMITED STANDARD DRAWING SPECIFICATION (S.D.S.) (LATEST EDITION) FOR ELECTRICAL DRAWINGS.

13. THE DRAWING SHALL BE IN ACCORDANCE WITH THE HSCC (INDIA) LIMITED STANDARD DRAWING SPECIFICATION (S.D.S.) (LATEST EDITION) AND THE HSCC (INDIA) LIMITED STANDARD DRAWING SPECIFICATION (S.D.S.) (LATEST EDITION) FOR ELECTRICAL DRAWINGS.

14. THE DRAWING SHALL BE IN ACCORDANCE WITH THE HSCC (INDIA) LIMITED STANDARD DRAWING SPECIFICATION (S.D.S.) (LATEST EDITION) AND THE HSCC (INDIA) LIMITED STANDARD DRAWING SPECIFICATION (S.D.S.) (LATEST EDITION) FOR ELECTRICAL DRAWINGS.

15. THE DRAWING SHALL BE IN ACCORDANCE WITH THE HSCC (INDIA) LIMITED STANDARD DRAWING SPECIFICATION (S.D.S.) (LATEST EDITION) AND THE HSCC (INDIA) LIMITED STANDARD DRAWING SPECIFICATION (S.D.S.) (LATEST EDITION) FOR ELECTRICAL DRAWINGS.

PROJECT
 PROPOSED DRUG WAREHOUSE

AREA - 2021 SQM

TITLE
 TENDER DRAWING

FLOOR PLAN
 (ELECTRICAL LAYOUT)

HSCC/CH WAREHOUSE/E-01
 Drawing No. Revision
 Job No. NTS Scale Date
 App. By. Rev. By. Prep. By.