

This drawing with all its contents is the sole intellectual property of the Hospital Services Company (HSCC) and shall remain the property of HSCC. No part of this drawing may be reproduced, stored in a retrieval system, or transmitted in any form or by any means, electronic, mechanical, photocopying, recording, or by any information storage and retrieval system, without the written permission of HSCC. It is prohibited.

NOTES

1. ALL DIMENSIONS ARE IN mm & LMS IN m.
2. READ IN CONJUNCTION WITH RELEVANT ARCH. DRG.
3. FINISHED FLOOR LVL TO BE CONFIRMED AS/ARCH. DRGS. THE SLAB TOP LEVEL TO BE WORKED OUT SUITABLY CONSIDERING FLOOR FINISH THICKNESS.
4. CLEAR COVER OF R/F TO BE AS BELOW:-
FOUNDATION = 50mm
COLUMN = 40mm
BEAM = 30mm
SLAB = 25mm
5. CONC. MIX. TO BE M-20 FOR ALL RCC WORK AS PER IS:456-2000
6. ALL R/F BARS TO BE Fe500 Mpa. HYSD OR TMT STEEL AS PER IS:1786.
7. ALL LAP LENGTHS = 50xSMALLER BAR Ø. ALL LAPS TO BE THINNED SUITABLY AS PER SITE REQUIREMENT
8. DEVELOPMENT LENGTH = 50xBAR Ø.
9. SFC ASSUMED 100 KN/M² AT 1.5 METER BELOW N.G.L.

REV#	DATE	DESCRIPTION
0	14.04.13	FOR TENDER

PROJECT

PROPOSED
100 BEDDED
HOSPITAL AT ALIGARH

TITLE

FOUNDATION LAYOUT PLAN

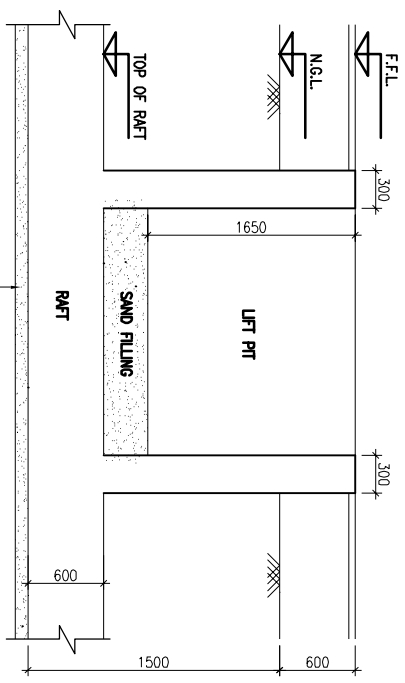
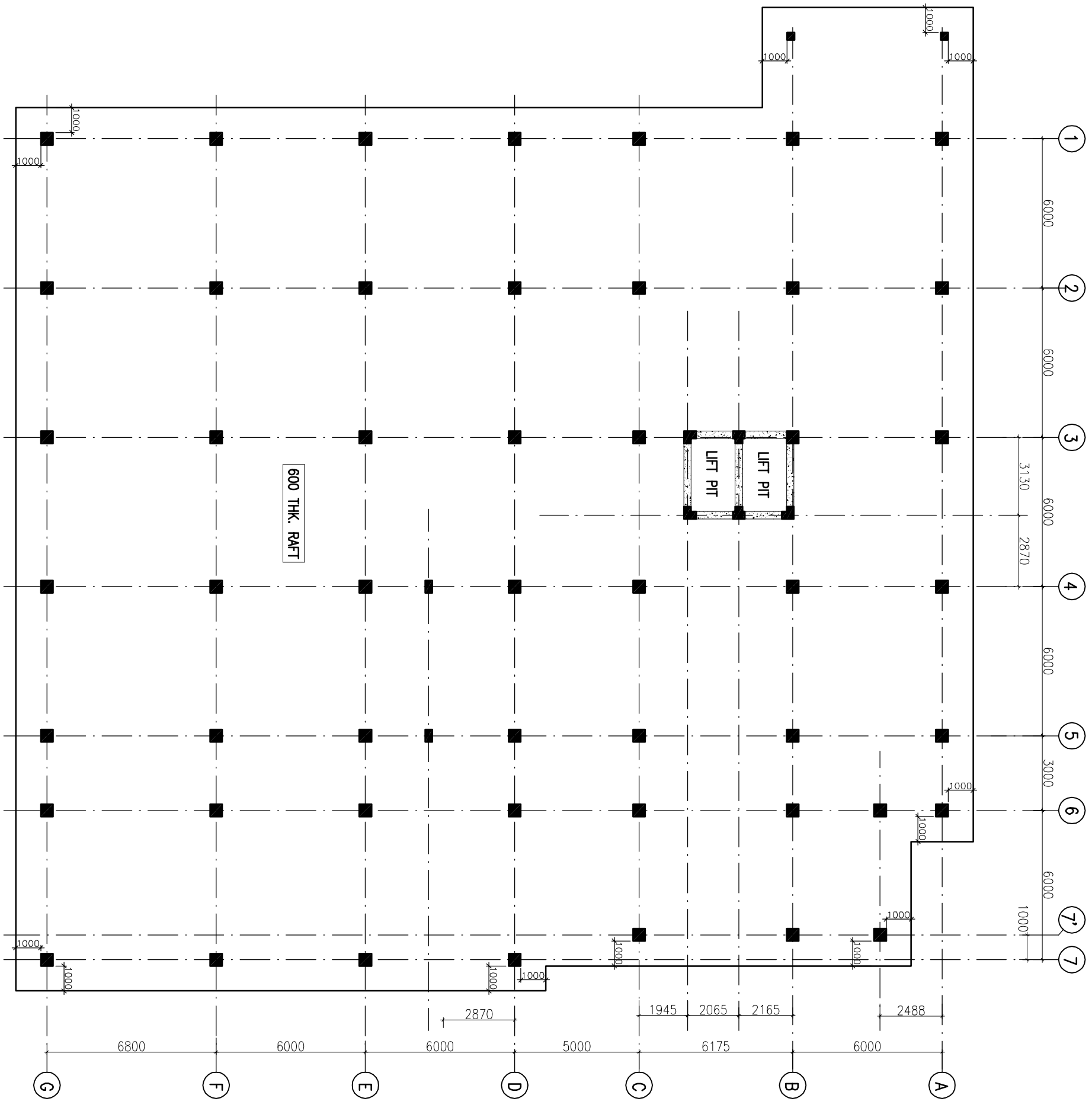
HSCC/ARP/DWG/ST-1-101

Drawing No.	REV. 03
HSCC/FORM No.	SCALE DATE
JUN-2013	

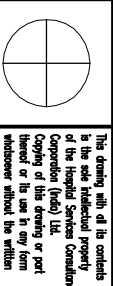
APPROVED	SERIALIZED	PREPARED
----------	------------	----------

HSCC INDIA LTD.
A GOVERNMENT OF INDIA ENTERPRISE

HSCC
INDIA
NEW DELHI



FOUNDATION LAYOUT PLAN



This drawing with all its contents is the sole intellectual property of the Hospital Services Consultancy Corporation Limited. Any use or reproduction of the same in any form whatsoever without the written permission of HSCC is prohibited.

NOTES

1. ALL DIMENSIONS ARE IN mm & LMS IN m.
2. READ IN CONJUNCTION WITH RELEVANT ARCH. DRG.
3. FINISHED FLOOR LVL TO BE CONFIRMED AS/ARCH. DRGS. THE SLAB TOP LEVEL TO BE WORKED OUT SUITABLY CONSIDERING FLOOR FINISH THICKNESS.
4. CLEAR COVER OF R/F TO BE AS BELOW:-
 FOUNDATION = 50mm
 COLUMN = 40mm
 BEAM = 30mm
 SLAB = 25mm
5. CONC. MIX. TO BE M-20 FOR ALL RCC WORK AS PER IS:456-2000
6. ALL R/F BARS TO BE Fe500 Mpa. HYSD OR TMT STEEL AS PER IS:1786.
7. ALL LAP LENGTHS = 50xSMALLER BAR Ø. ALL LAPS TO BE STAGGERED SUITABLY AS PER SITE REQUIREMENT
8. DEVELOPMENT LENGTH = 50xBAR Ø.

REV#	DATE	DESCRIPTION
0	14.06.13	FOR TENDER

PROJECT

PROPOSED
100 BEDDED
HOSPITAL AT ALIGARH

TITLE

COLUMN LAYOUT PLAN

HSCC/AR/DWG/ST-1-101

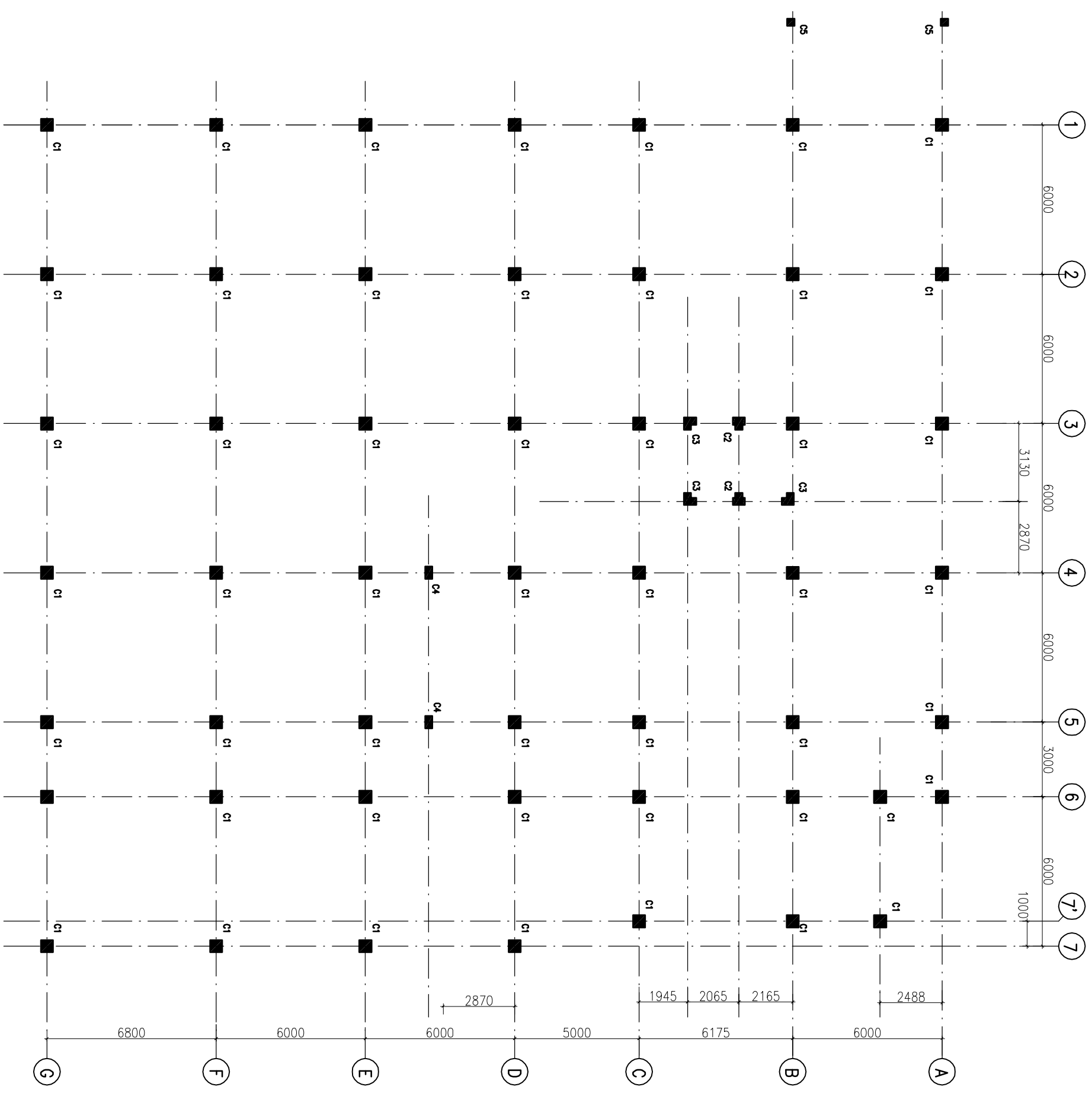
Drawing No. REV. 03

HSCC/ FOR No. 11-125 COLS DATE JUN-2013

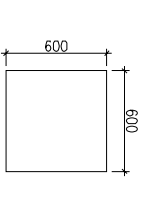
APPROVED	REVIEWED	PREPARED

HSCC INDIA LTD.
A GOVERNMENT OF INDIA ENTERPRISE

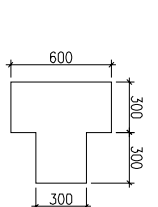
HSCC
INDIA
NEW DELHI



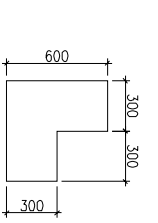
COLUMN LAYOUT PLAN



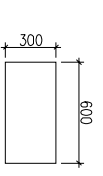
COLUMN MKD. C1



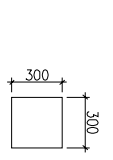
COLUMN MKD. C2



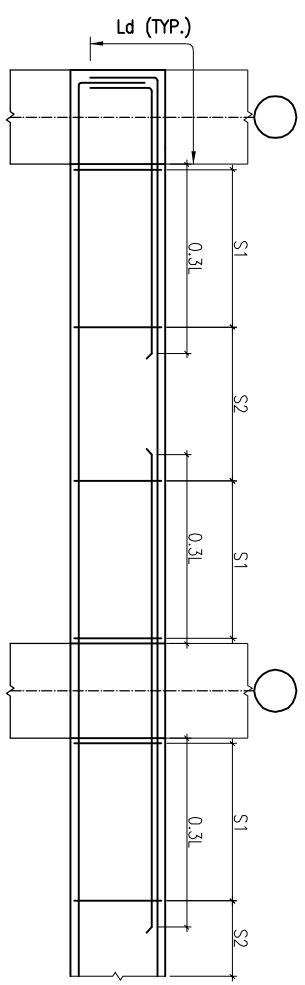
COLUMN MKD. C3



COLUMN MKD. C4



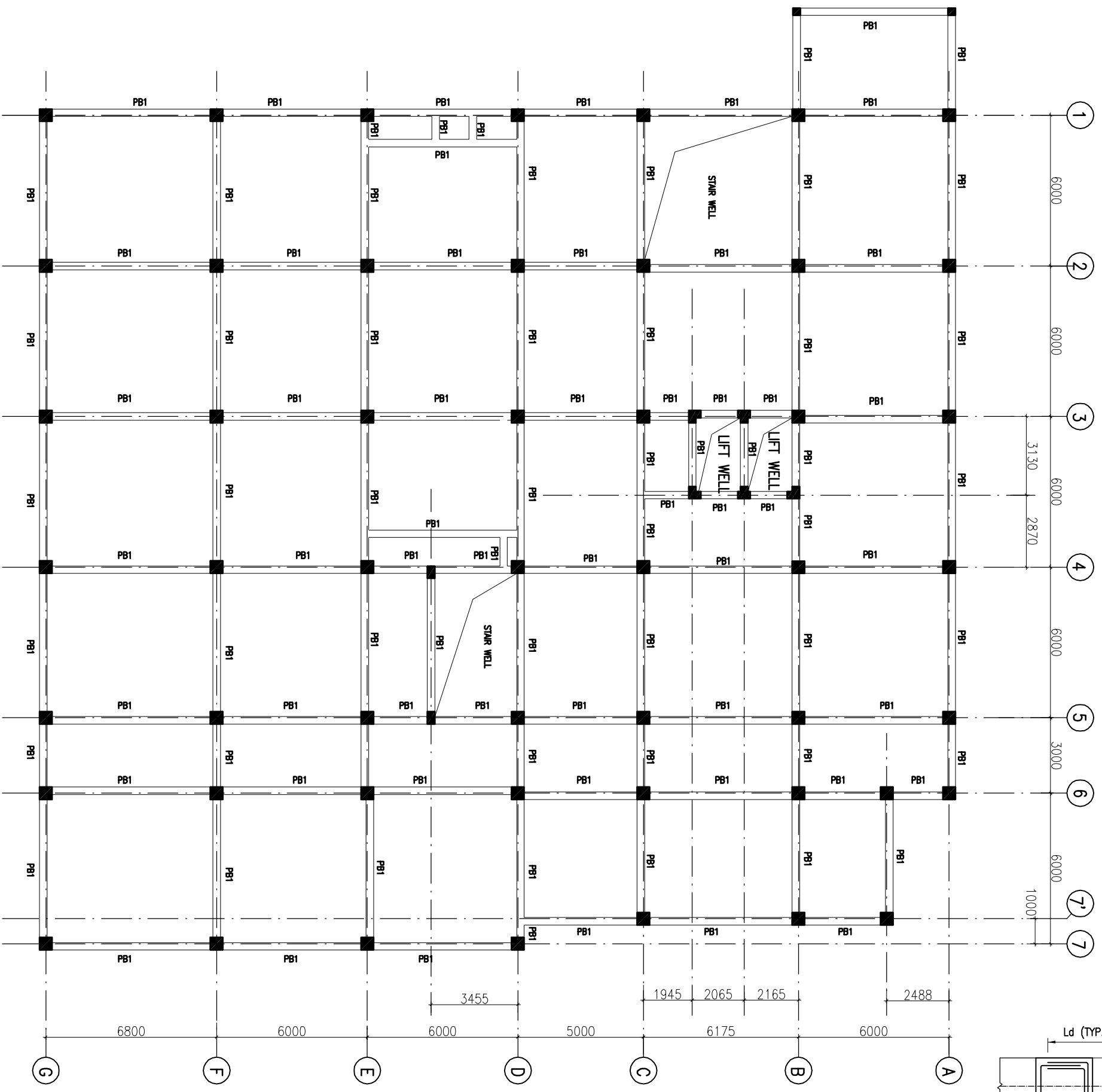
COLUMN MKD. C5



TYP. BEAM R/F DETAILS

BEAM SCHEDULE:-

BEAM MKD.	SIZE
PB1	300x450



PLINTH BEAM FRAMING PLAN

This drawing with all its contents is the sole intellectual property of the Hospital Services Consultancy Corporation (HSCC) Ltd. Copying or reuse of any part thereof without the written permission of HSCC is prohibited.

NOTES

1. ALL DIMENSIONS ARE IN mm & LMS IN m.
2. READ IN CONJUNCTION WITH RELEVANT ARCH. Dwg.
3. FINISHED FLOOR LVL TO BE CONFIRMED AS/ARCH. Dwg. THE SLAB TOP LEVEL TO BE WORKED OUT SUITABLY CONSIDERING FLOOR FINISH THICKNESS.
4. CLEAR COVER OF R/F TO BE AS BELOW:-
FOUNDATION = 50mm
COLUMN = 40mm
BEAM = 30mm
SLAB = 25mm
5. CONC. MIX. TO BE M-20 FOR ALL RCC WORK AS PER IS:456-2000
6. ALL R/F BARS TO BE Fe500 Mpa. HYSD OR TMT STEEL AS PER IS:1786.
7. ALL LAP LENGTHS = 50xSMALLER BAR Ø. ALL LAPS TO BE STAGGERED SUITABLY AS PER SITE REQUIREMENT
8. DEVELOPMENT LENGTH = 50xBAR Ø.

REVISION

REV#	DATE	DESCRIPTION
0	14.06.13	FOR TENDER

PROJECT

PROPOSED
100 BEDDED
HOSPITAL AT ALIGARH

TITLE

PLINTH BEAM FRAMING PLAN

HSCC/ARP/Dwg/ST-1-109

Drawing No. REVY. 03

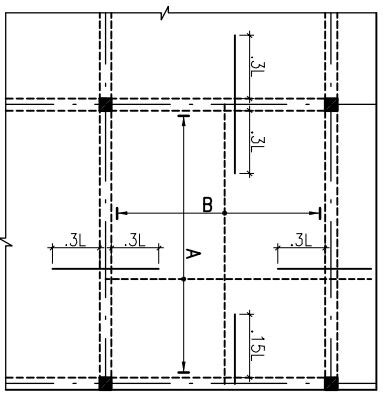
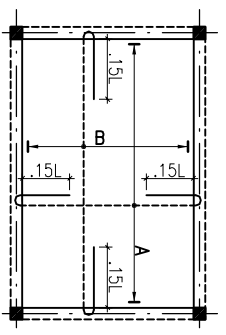
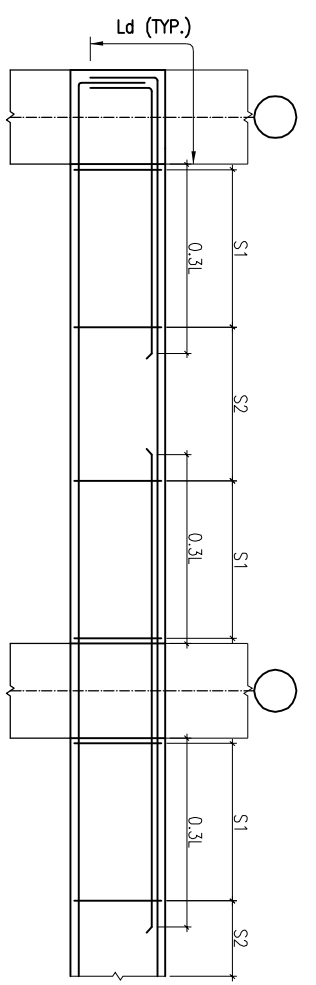
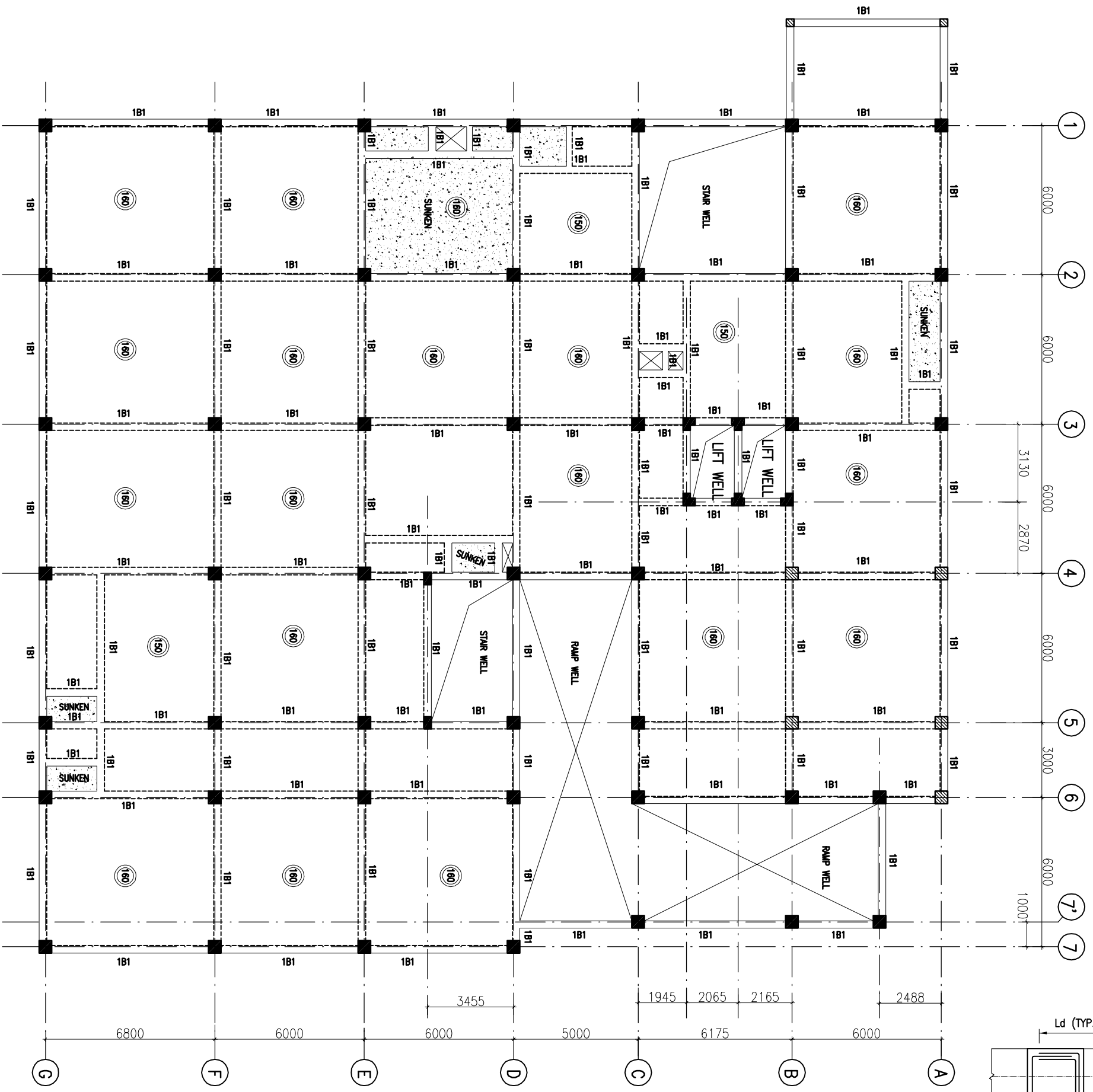
HSCC/ FOR No. 1:1/25 SCALE JUN-2013 DATE

APPROVED	REVIEWED	PREPARED

HSCC INDIA LTD.
A GOVERNMENT OF INDIA ENTERPRISE

HSCC
INDIA
NEW DELHI

FIRST FLOOR BEAM FRAMING PLAN
(SLAB THICKNESS 125mm UNO.)



BEAM SCHEDULE:-

BEAM MKD.	SIZE
1B1	300x600

This drawing with all its contents is the sole intellectual property of the Hospital Services Consultancy Corporation (HSCC) Ltd. Copying or reuse of any part thereof or its use in any form whatsoever without the written permission of HSCC is prohibited.

- NOTES**
1. ALL DIMENSIONS ARE IN mm & UNLS IN m.
 2. READ IN CONJUNCTION WITH RELEVANT ARCH. Dwg.
 3. FINISHED FLOOR LVL TO BE CONFIRMED AS/ARCH. DRESS THE SLAB TOP LEVEL TO BE WORKED OUT SUABLY CONSIDERING FLOOR FINISH THICKNESS.
 4. CLEAR COVER OF R/F TO BE AS BELOW:-
FOUNDATION = 50mm
COLUMN = 40mm
BEAM = 30mm
SLAB = 25mm
 5. CONC. MKD. TO BE M-20 FOR ALL RCC WORK AS PER IS:456-2000
 6. ALL R/F BARS TO BE Fe500 Mpa. HYSD OR TMT STEEL AS PER IS:1786.
 7. ALL LAP LENGTHS = 50xSMALLER BAR ϕ . ALL LAPS TO BE STITCHED SUABLY AS PER SITE REQUIREMENT
 8. DEVELOPMENT LENGTH = 50xBAR ϕ .

REVISION

REV#	DATE	DESCRIPTION
0	14.04.13	FOR TENDER

PROJECT
PROPOSED
100 BEDDED
HOSPITAL AT ALIGARH

TITLE

FIRST FLOOR BEAM FRAMING PLAN

HSCC/ARP/Dwg/ST-1-104

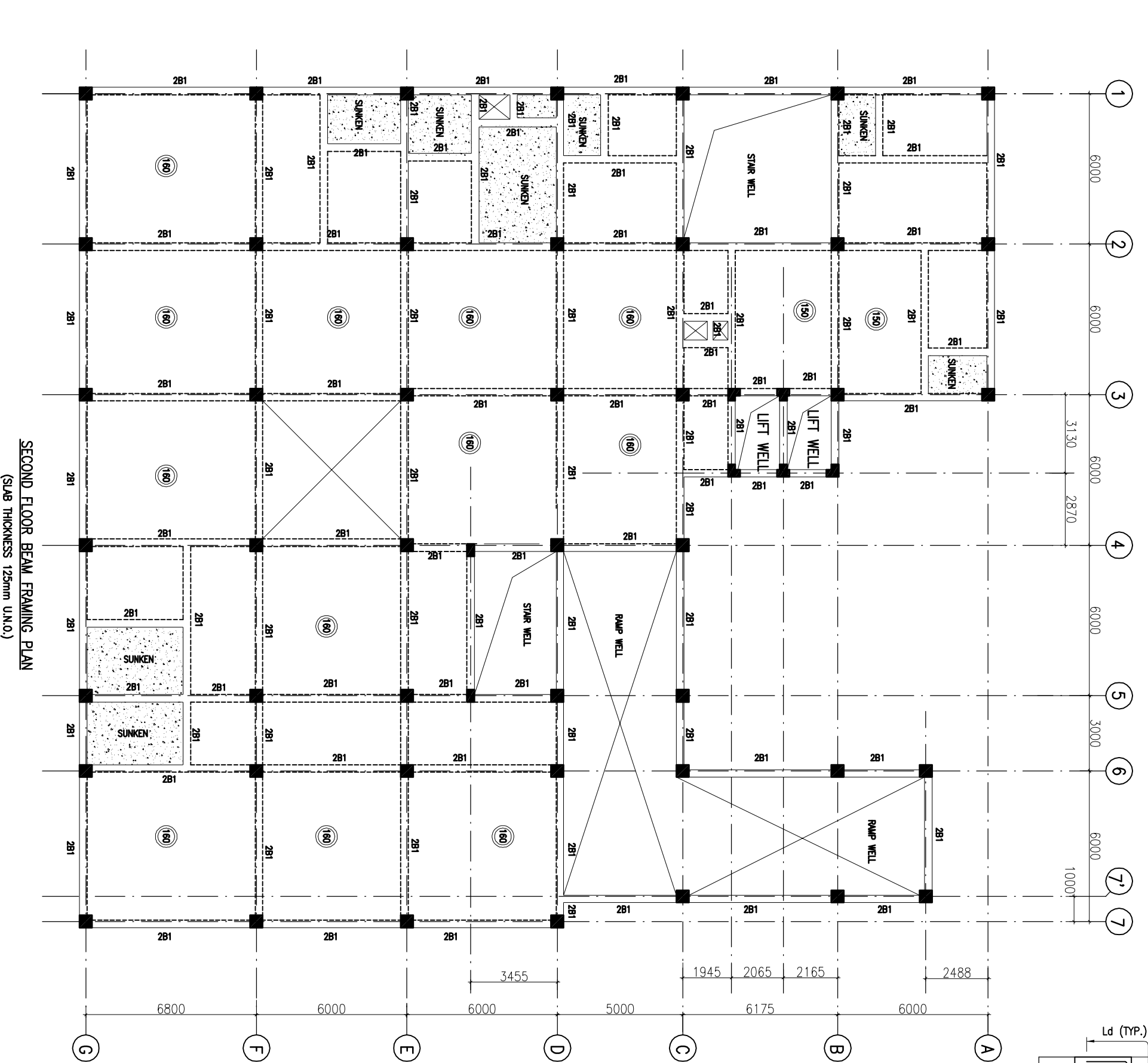
Drawing No. REV. 03

HSCC/ FOR No.	COLLAR	DATE
1-125		JUN-2013

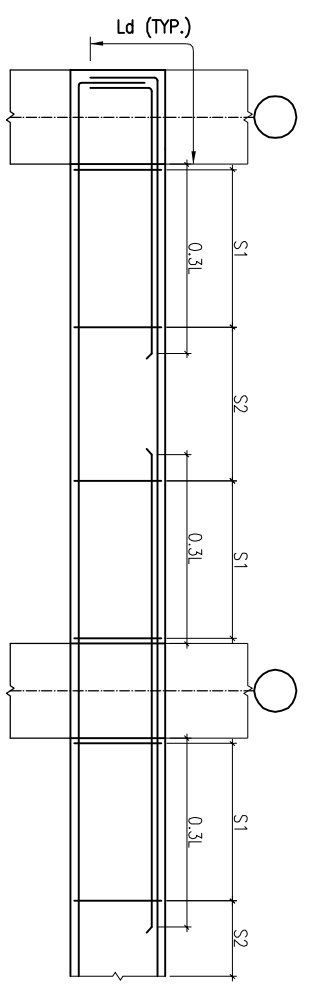
APPROVED	REVIEWED	PREPARED

HSCC INDIA LTD.
A GOVERNMENT OF INDIA ENTERPRISE

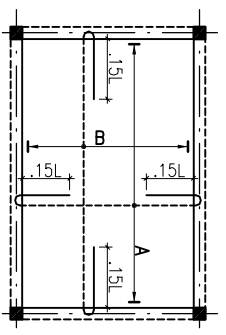
HSCC
NEW DELHI INDIA



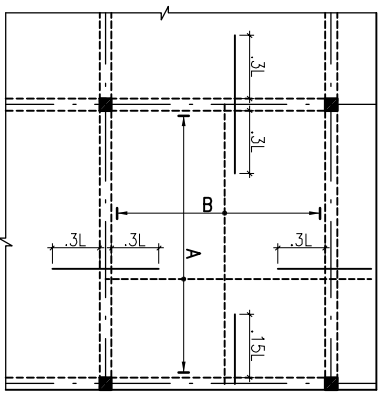
SECOND FLOOR BEAM FRAMING PLAN
(SLAB THICKNESS 125mm U.N.O.)



TYP. BEAM R/F DETAILS



TYP. SUNKEN SLAB R/F DETAIL



TYP. SLAB R/F DETAIL

BEAM SCHEDULE:-

BEAM MKD.	SIZE
2B1	300x600

This drawing with all its contents is the sole intellectual property of the Hospital Services Consultancy Corporation Limited. The copyright of this drawing is the property of the user in the form of a license. No part of this drawing shall be reproduced, stored in a retrieval system or transmitted in any form or by any means, electronic, mechanical, photocopying, recording, or by any information storage and retrieval system, without the written permission of HSCC is prohibited.

NOTES

1. ALL DIMENSIONS ARE IN mm & LMS IN m.
2. READ IN CONJUNCTION WITH RELEVANT ARCH. Dwg.
3. FINISHED FLOOR LVL TO BE CONFIRMED AS/ARCH. Dwg. THE SLAB TOP LEVEL TO BE WORKED OUT SUITABLY CONSIDERING FLOOR FINISH THICKNESS.
4. CLEAR COVER OF R/F TO BE AS BELOW:-
FOUNDATION = 50mm
COLUMN = 40mm
BEAM = 30mm
SLAB = 25mm
5. CONC. MIX. TO BE M-20 FOR ALL RCC WORK AS PER IS:456-2000
6. ALL R/F BARS TO BE Fe500 Mpa. HYSD OR TMT STEEL AS PER IS:1786.
7. ALL LAP LENGTHS = 50xSMALLER BAR Ø. SITE REQUIREMENT
8. DEVELOPMENT LENGTH = 50xBAR Ø.

REV#	DATE	DESCRIPTION
0	14.04.13	FOR TENDER

PROJECT

PROPOSED
100 BEDDED
HOSPITAL AT ALLGARH

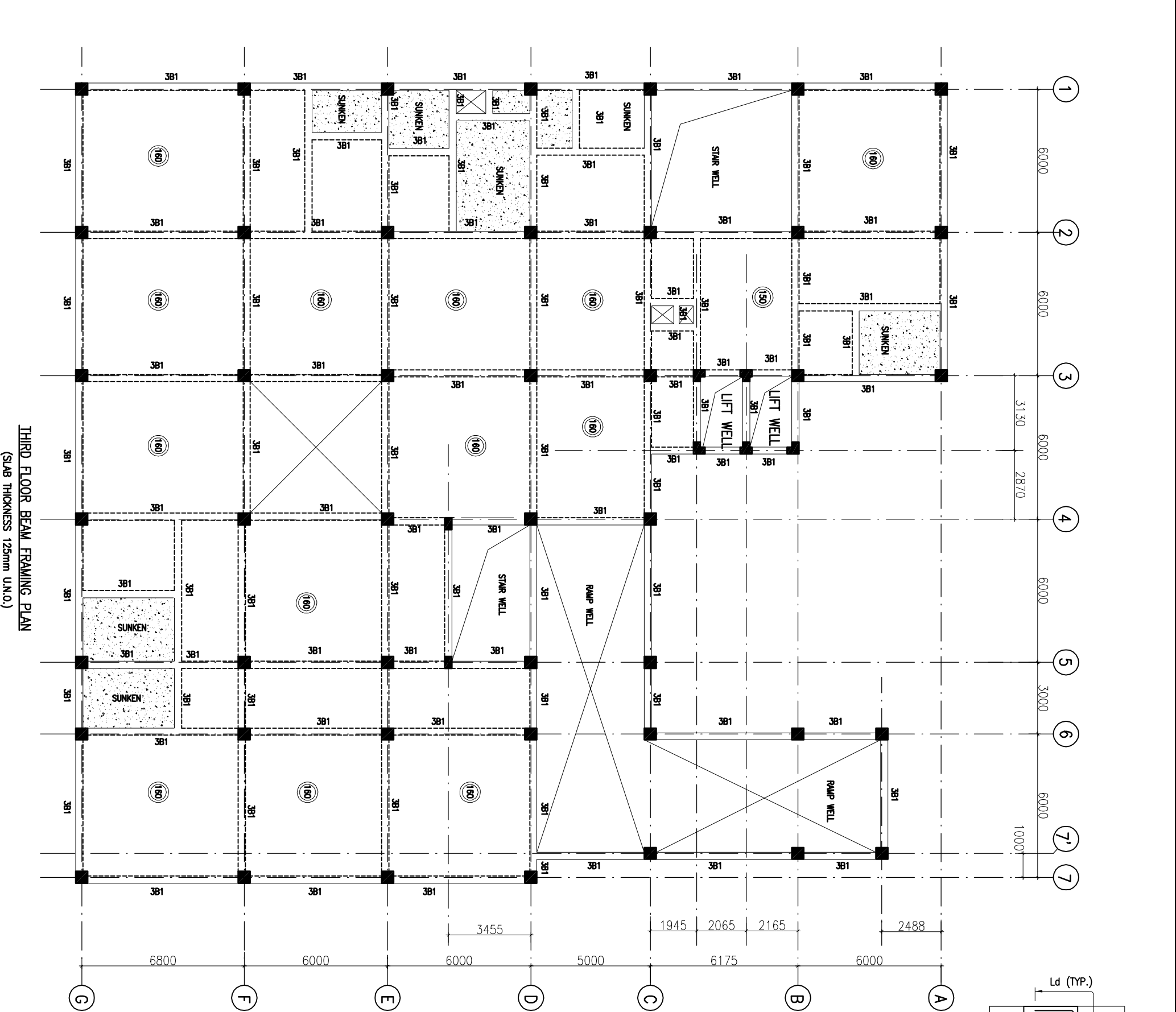
TITLE

SECOND FLOOR BEAM FRAMING PLAN

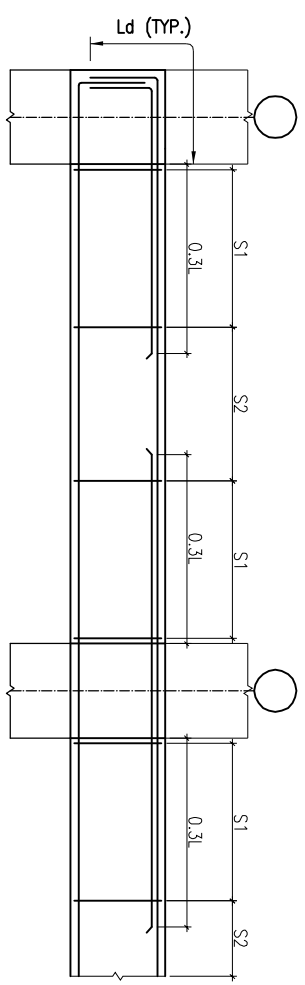
HSCC/ARP/Dwg/ST-1-105

Drawing No.	REV. 03
HSCC/ JOB No.	JUN-2013
DESIGNED	CHECKED
APPROVED	PREPARED

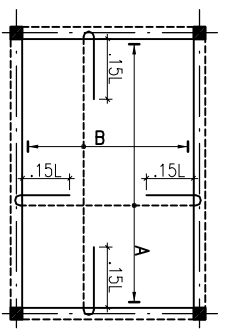
HSCC INDIA LTD.
A GOVERNMENT OF INDIA ENTERPRISE
HSCC
NEW DELHI
INDIA



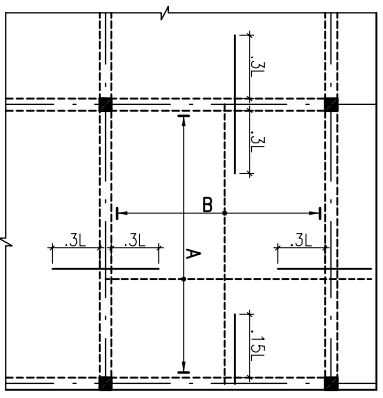
THIRD FLOOR BEAM FRAMING PLAN
(SLAB THICKNESS 125mm U.N.O.)



TYP. BEAM R/F DETAILS



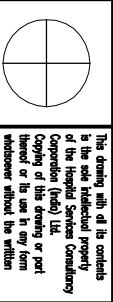
TYP. SUNKEN SLAB R/F DETAIL



TYP. SLAB R/F DETAIL

BEAM SCHEDULE:-

BEAM MKD.	SIZE
3B1	300x600



This drawing with all its contents is the sole intellectual property of the Hospital Services Consultancy Corporation (HSCC) Ltd. Copying or reproduction of any part thereof or its use in any form whatsoever without the written permission of HSCC is prohibited.

- NOTES**
1. ALL DIMENSIONS ARE IN mm & LMS IN m.
 2. READ IN CONJUNCTION WITH RELEVANT ARCH. Dwg.
 3. FINISHED FLOOR LVL TO BE CONFIRMED AS/ARCH. Dwg. THE SLAB TOP LEVEL TO BE WORKED OUT SUABLY CONSIDERING FLOOR FINISH THICKNESS.
 4. CLEAR COVER OF R/F TO BE AS BELOW:-
FOUNDATION = 50mm
COLUMN = 40mm
BEAM = 30mm
SLAB = 25mm
 5. CONC. MIX. TO BE M-20 FOR ALL RCC WORK AS PER IS:456-2000
 6. ALL R/F BARS TO BE Fe500 Mpa. HYSD OR TMT STEEL AS PER IS:1786.
 7. ALL LAP LENGTHS = 50xSMALLER BAR Ø. SITE REQUIREMENT
 8. DEVELOPMENT LENGTH = 50xBAR Ø.

REV#	DATE	DESCRIPTION
0	14.04.13	FOR TENDER

PROJECT
PROPOSED
100 BEDDED
HOSPITAL AT ALLIGARH

TITLE

THIRD FLOOR BEAM FRAMING PLAN

HSCC/ARP/Dwg/3F-1-100

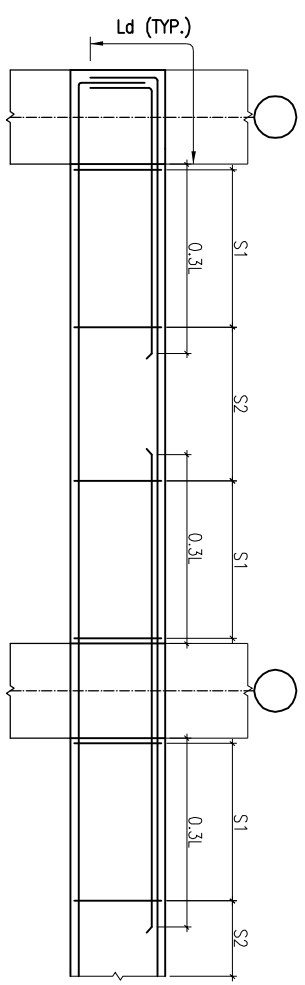
Drawing No.	REV. 03
HSCC/11-125	JUN-2013
FOR No.	COLLAR
DATE	

APPROVED	REVIEWED	PREPARED

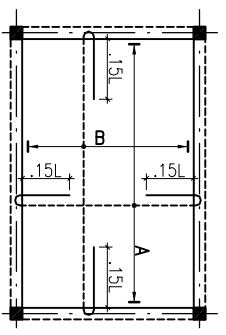
HSCC INDIA LTD.
A GOVERNMENT OF INDIA ENTERPRISE
HSCC
NEW DELHI
INDIA



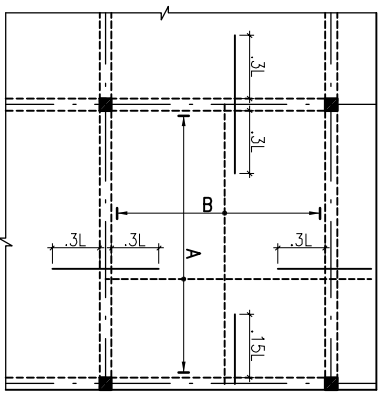
FOURTH FLOOR BEAM FRAMING PLAN
(SLAB THICKNESS 125mm U.N.O.)



TYP. BEAM R/F DETAILS



TYP. SUNKEN SLAB R/F DETAIL



TYP. SLAB R/F DETAIL

BEAM SCHEDULE:-

BEAM MKD.	SIZE
4B1	300x600

This drawing with all its contents is the sole intellectual property of the Hospital Services Consultancy Corporation Limited (HSCC). Any use or reproduction of the same in any form whatsoever without the written permission of HSCC is prohibited.

- NOTES**
1. ALL DIMENSIONS ARE IN mm & LMS IN m.
 2. READ IN CONJUNCTION WITH RELEVANT ARCH. Dwg.
 3. FINISHED FLOOR LVL TO BE CONFIRMED AS/ARCH. Dwg. THE SLAB TOP LEVEL TO BE WORKED OUT SUABLY CONSIDERING FLOOR FINISH THICKNESS.
 4. CLEAR COVER OF R/F TO BE AS BELOW:-
FOUNDATION = 50mm
COLUMN = 40mm
BEAM = 30mm
SLAB = 25mm
 5. CONC. MIX. TO BE M-20 FOR ALL RCC WORK AS PER IS:456-2000
 6. ALL R/F BARS TO BE Fe500 Mpa. HYSD OR TMT STEEL AS PER IS:1786.
 7. ALL LAP LENGTHS = 50xSMALLER BAR Ø. ALL LAPS TO BE STAGGERED & AS PER SITE REQUIREMENT
 8. DEVELOPMENT LENGTH = 50xBAR Ø.

REV#	DATE	DESCRIPTION
0	14.06.13	FOR TENDER

PROJECT
PROPOSED
100 BEDDED
HOSPITAL AT ALLIGARH

TITLE

FOURTH FLOOR BEAM FRAMING PLAN

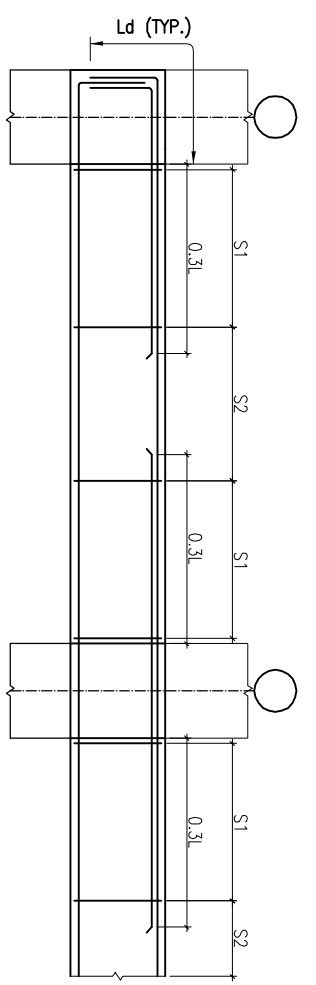
HSCC/ARP/Dwg/87-1-107

Drawing No.	REV. 03
HSCC/ JOB No.	JUN-2013
SCALE	DATE
APPROVED	PREPARED

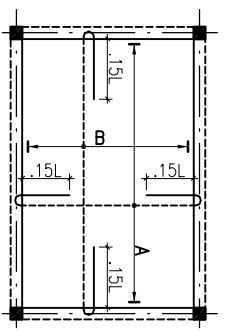
HSCC INDIA LTD.
A GOVERNMENT OF INDIA ENTERPRISE
HSCC
NEW DELHI INDIA



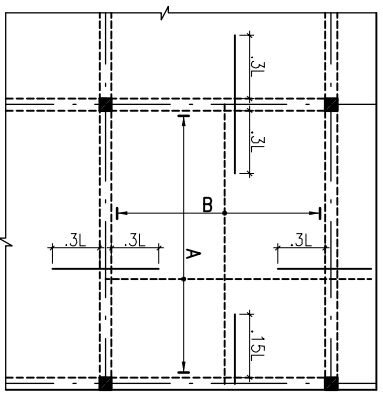
FIFTH FLOOR BEAM FRAMING PLAN
(SLAB THICKNESS 125mm U.N.O.)



TYP. BEAM R/F DETAILS



TYP. SUNKEN SLAB R/F DETAIL



TYP. SLAB R/F DETAIL

BEAM SCHEDULE:-

BEAM MKD.	SIZE
SB1	300x600

This drawing with all its contents is the sole intellectual property of the Hospital Services Company (HSCC) and shall remain the property of the user in the form of hard copy or soft copy without the written permission of HSCC is prohibited.

- NOTES**
1. ALL DIMENSIONS ARE IN mm & LMS IN m.
 2. READ IN CONJUNCTION WITH RELEVANT ARCH. DRC.
 3. FINISHED FLOOR LVL TO BE CONFIRMED AS/ARCH. DRESS THE SLAB TOP LEVEL TO BE WORKED OUT SUABLY CONSIDERING FLOOR FINISH THICKNESS.
 4. CLEAR COVER OF R/F TO BE AS BELOW:-
FOUNDATION = 50mm
COLUMN = 40mm
BEAM = 30mm
SLAB = 25mm
 5. CONC. MIX. TO BE M-20 FOR ALL RCC WORK AS PER IS:456-2000
 6. ALL R/F BARS TO BE Fe500 Mpa. HYSD OR TMT STEEL AS PER IS:1786.
 7. ALL LAP LENGTHS = 50xSMALLER BAR Ø. ALL LAPS TO BE STAGGERED & AS PER SITE REQUIREMENT
 8. DEVELOPMENT LENGTH = 50xBAR Ø.

REV#	DATE	DESCRIPTION
0	14.04.13	FOR TENDER

PROJECT
PROPOSED
100 BEDDED
HOSPITAL AT ALIGARH

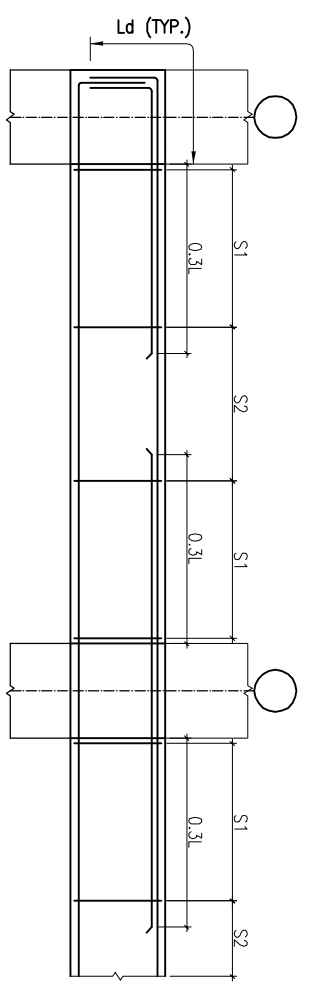
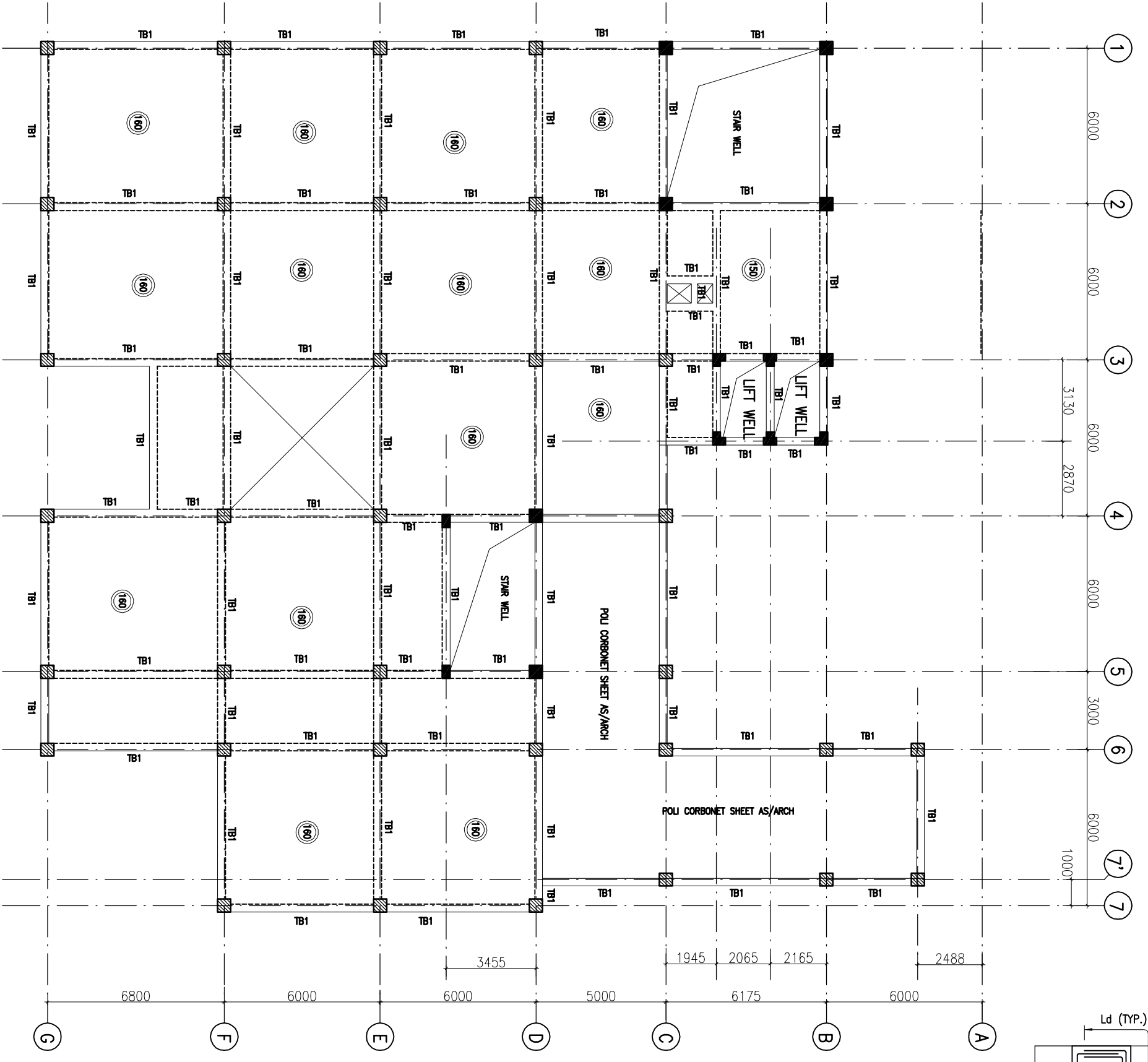
TITLE

FIFTH FLOOR BEAM FRAMING PLAN
HSCC/ARP/DAB/ST-1-100

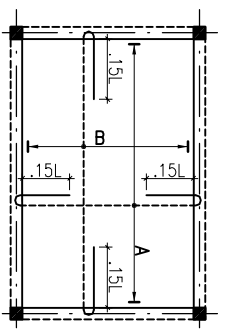
Drawing No.	REV. 03
HSCC/ JOB No.	JUN-2013
SCALE	DATE
APPROVED	PREPARED

HSCC INDIA LTD.
A GOVERNMENT OF INDIA ENTERPRISE
HSCC
NEW DELHI
INDIA

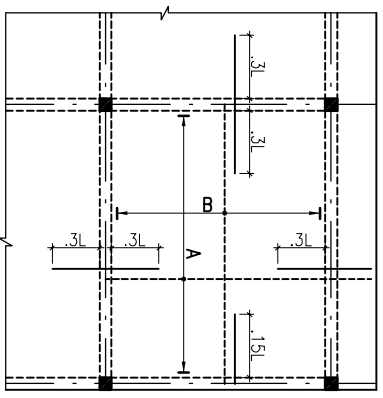
TERRACE BEAM FRAMING PLAN
(SLAB THICKNESS 125mm U.N.O.)



TYP. BEAM R/F DETAILS



TYP. SUNKEN SLAB R/F DETAIL



TYP. SLAB R/F DETAIL

BEAM SCHEDULE:-

BEAM MKD.	SIZE
TB1	300x600

This drawing with all its contents is the sole intellectual property of the Hospital Services Consultancy Corporation (HSCC) Ltd. Copying or reproduction of any part thereof or its use in any form whatsoever without the written permission of HSCC is prohibited.

- NOTES**
1. ALL DIMENSIONS ARE IN mm & LMS IN m.
 2. READ IN CONJUNCTION WITH RELEVANT ARCH. DRC.
 3. FINISHED FLOOR LVL TO BE CONFIRMED AS/ARCH. DRESS THE SLAB TOP LEVEL TO BE WORKED OUT SUABLY CONSIDERING FLOOR FINISH THICKNESS.
 4. CLEAR COVER OF R/F TO BE AS BELOW:-
FOUNDATION = 50mm
COLUMN = 40mm
BEAM = 30mm
SLAB = 25mm
 5. CONC. MKC TO BE M-20 FOR ALL RCC WORK AS PER IS:456-2000
 6. ALL R/F BARS TO BE Fe500 Mpa. HYSD OR TMT STEEL AS PER IS:1786.
 7. ALL LAP LENGTHS = 50xSMALLER BAR Ø. ALL LAPS TO BE STAGGERED SUABLY AS PER SITE REQUIREMENT
 8. DEVELOPMENT LENGTH = 50xBAR Ø.

REV#	DATE	DESCRIPTION
0	14.04.13	FOR TENDER

PROJECT
PROPOSED
100 BEDDED
HOSPITAL AT ALIGARH

TITLE

TERRACE BEAM FRAMING PLAN

HSCC/ARP/DWG/ST-1-100

Drawing No.	REV. 03
HSCC/ FOR No.	1-125
SCALE	JUN-2013
DATE	
APPROVED	REVIEWED
	PREPARED

HSCC INDIA LTD.
A GOVERNMENT OF INDIA ENTERPRISE
HSCC
NEW DELHI INDIA