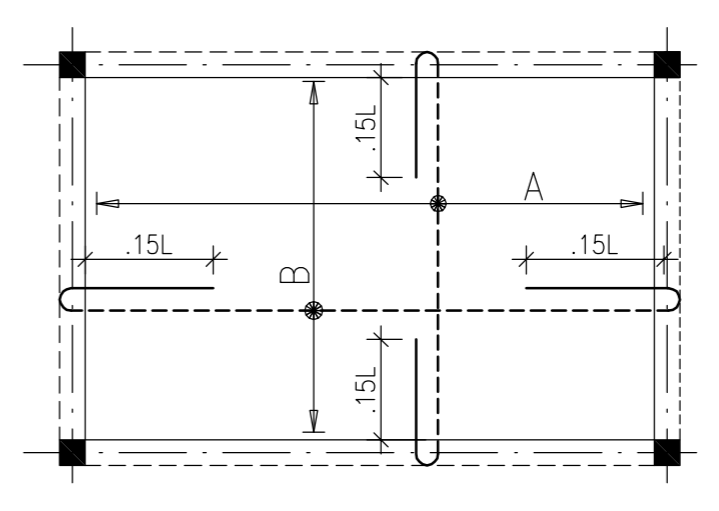
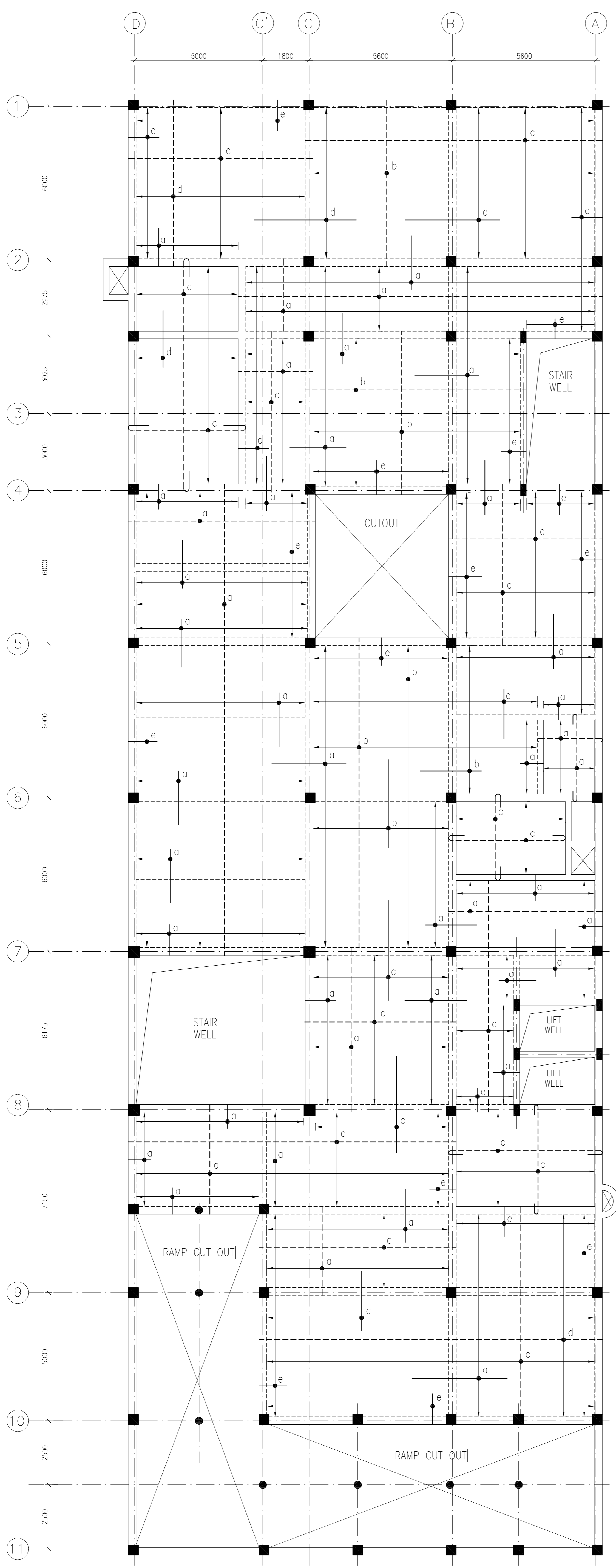
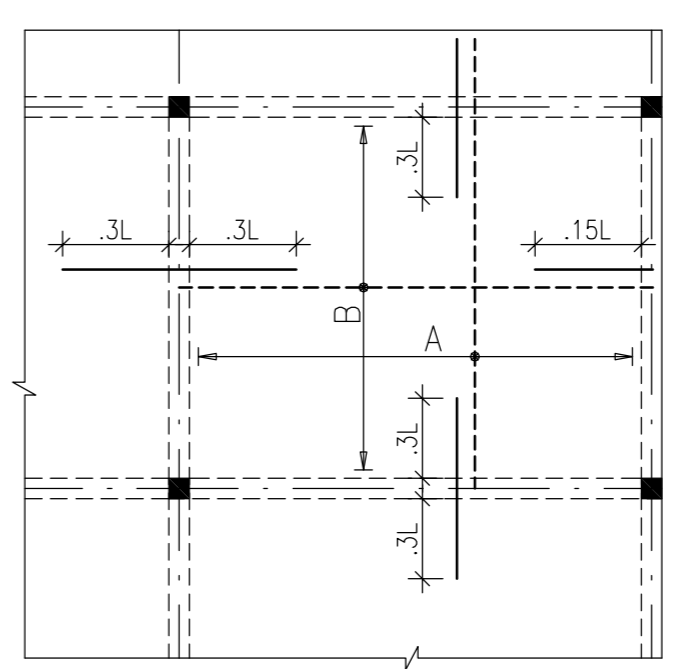


This drawing with all its contents is the sole intellectual property of the Hospital Services Consultancy Corporation (India) Ltd. Copying of this drawing or part thereof or its use in any form whatsoever without the written permission of HSCC is prohibited.



TYP. SUNKEN SLAB R/F DETAIL



TYP. SLAB R/F DETAIL

a	8 Φ @175 c/c
b	8 Φ @150 c/c
c	8 Φ @100 c/c
d	10 Φ @150 c/c
e	8 Φ @200c/c

Dist. steel 8 Φ @200 c/c shall be provided wherever required (not shown in plan)

NOTES

1. ALL DIMENSIONS ARE IN mm & LVLS IN m.
2. READ IN CONJUNCTION WITH RELEVANT ARCH. DRG.
3. FINISHED FLOOR LVL TO BE CONFIRMED AS/ARCH. DRGS. THE SLAB TOP LEVEL TO BE WORKED OUT SUITABLY CONSIDERING FLOOR FINISH THICKNESS.
4. CLEAR COVER OF R/F TO BE AS BELOW:-
 BEAM = 25mm
 SLAB = 20mm
5. CONC. MIX. TO BE M-25 FOR ALL RCC WORK AS PER IS:456-2000
6. ALL R/F BARS TO BE Fe500 Mpa. HYSD OR TMT STEEL AS PER IS:1786.

DATE	DESCRIPTION

REVISION

PROJECT

Proposed 50 Bedded Hospital at JASHPUR CHATTISGARH

TITLE

NRHM PROJECT

SECOND FLOOR SLAB R/F DETAILS

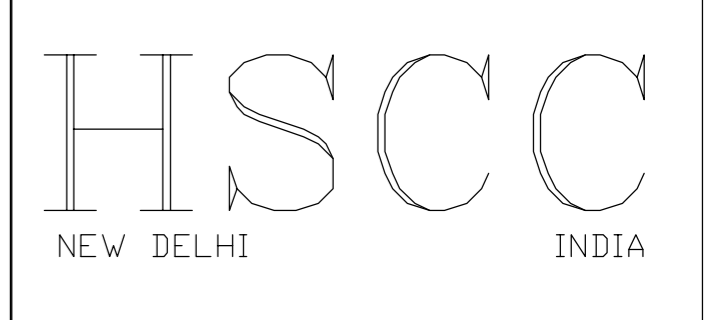
HSCC/EV210/WORKING/CHATTISGARH/BHAL/ST-

Drawing No. REV. 0

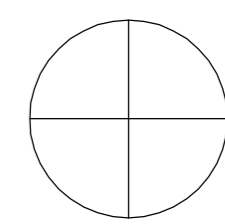
JOB No.	SCALE	DATE
	1:100	

APPROVED	REVIEWED	PREPARED

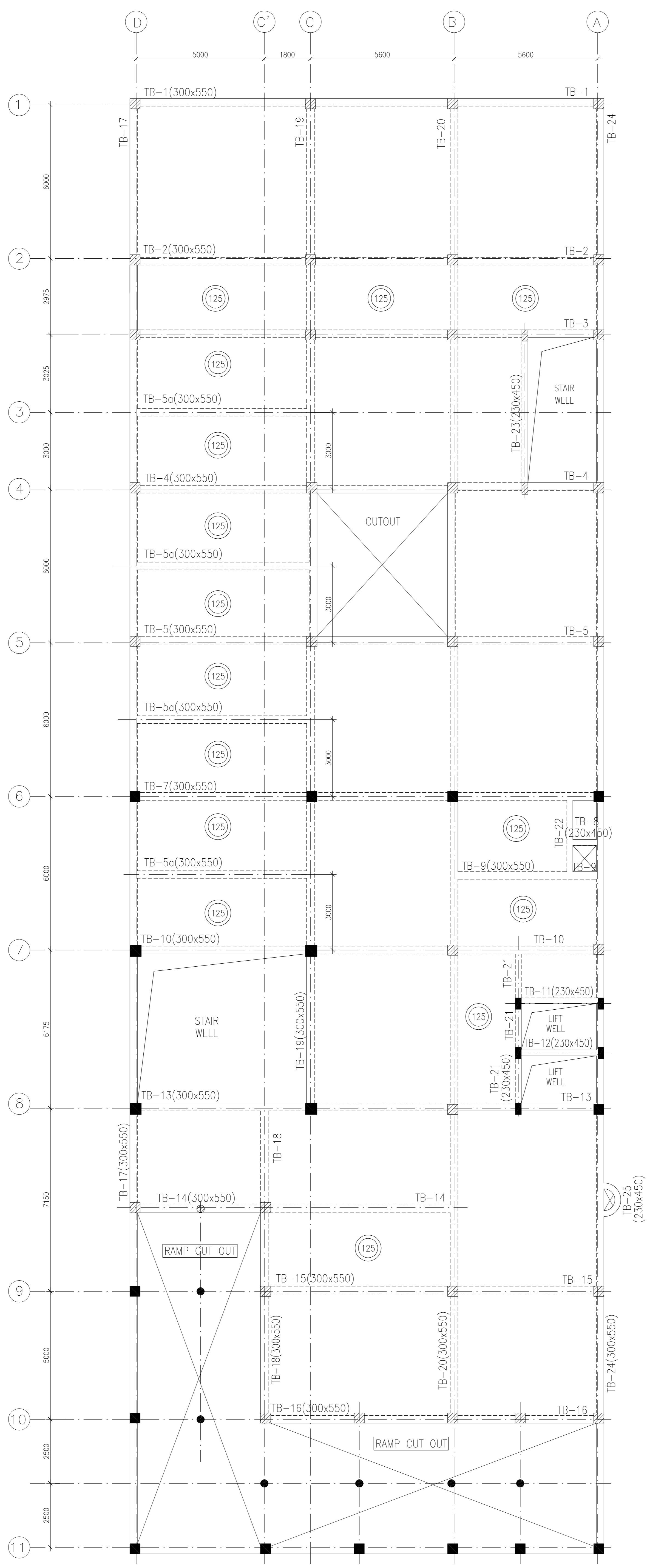
HSCC INDIA LTD.
(A GOVERNMENT OF INDIA ENTERPRISE)



SECOND FLOOR SLAB R/F DETAILS
(ALL SLAB 150 mm THK. U.N.O.)



This drawing with all its contents is the sole intellectual property of the Hospital Services Consultancy Corporation (India) Ltd. Copying of this drawing or part thereof or its use in any form whatsoever without the written permission of HSCC is prohibited.



TERRACE LVL. BEAM FLOOR FRAMING PLAN
 (ALL BEAMS SIZE 300x550 U.N.O.)
 (ALL SLAB 150 mm THK. U.N.O.)

NOTES

- ALL DIMENSIONS ARE IN mm & LVLS IN m.
- READ IN CONJUNCTION WITH RELEVANT ARCH. DRG.
- FINISHED FLOOR LVL TO BE CONFIRMED AS/ARCH. DRGS. THE SLAB TOP LEVEL TO BE WORKED OUT SUITABLY CONSIDERING FLOOR FINISH THICKNESS.
- CLEAR COVER OF R/F TO BE AS BELOW:-
 BEAM = 25mm
 SLAB = 20mm
- CONC. MIX. TO BE M-25 FOR ALL RCC WORK AS PER IS:456-2000
- ALL R/F BARS TO BE Fe500 Mpa. HYSD OR TMT STEEL AS PER IS:1786.

DATE	DESCRIPTION

REVISION

PROJECT

Proposed 50 Bedded Hospital at JASHPUR CHATTISGARH

TITLE

NRHM PROJECT

TERRACE LVL. BEAM FRAMING PLAN

HSCC/EV210/WORKING/CHATTISGARH/BHAL/ST-

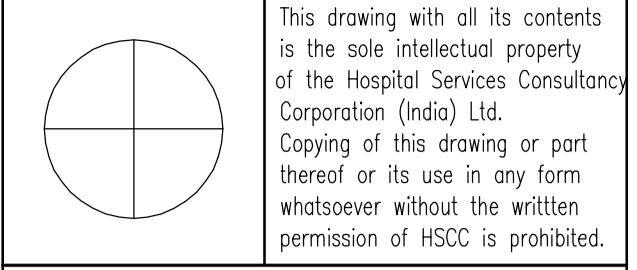
Drawing No. REV. 0

JOB No.	SCALE	DATE
	1:100	

APPROVED	REVIEWED	PREPARED

HSCC INDIA LTD.
 (A GOVERNMENT OF INDIA ENTERPRISE)

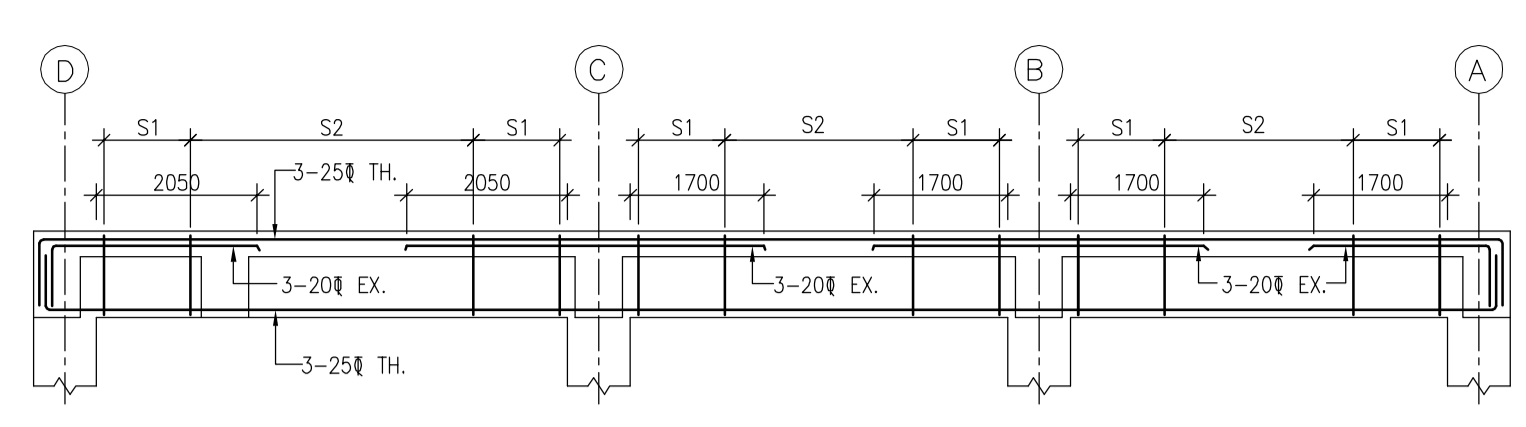




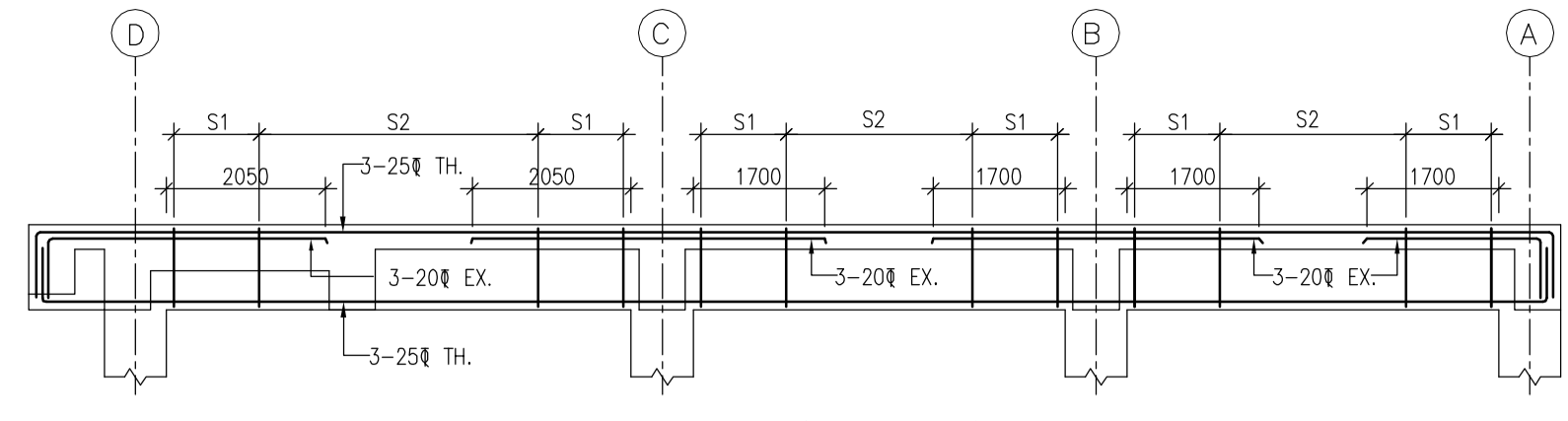
This drawing with all its contents is the sole intellectual property of the Hospital Services Consultancy Corporation (India) Ltd. Copying or its use in any form whatsoever without the written permission of HSCC is prohibited.

NOTES

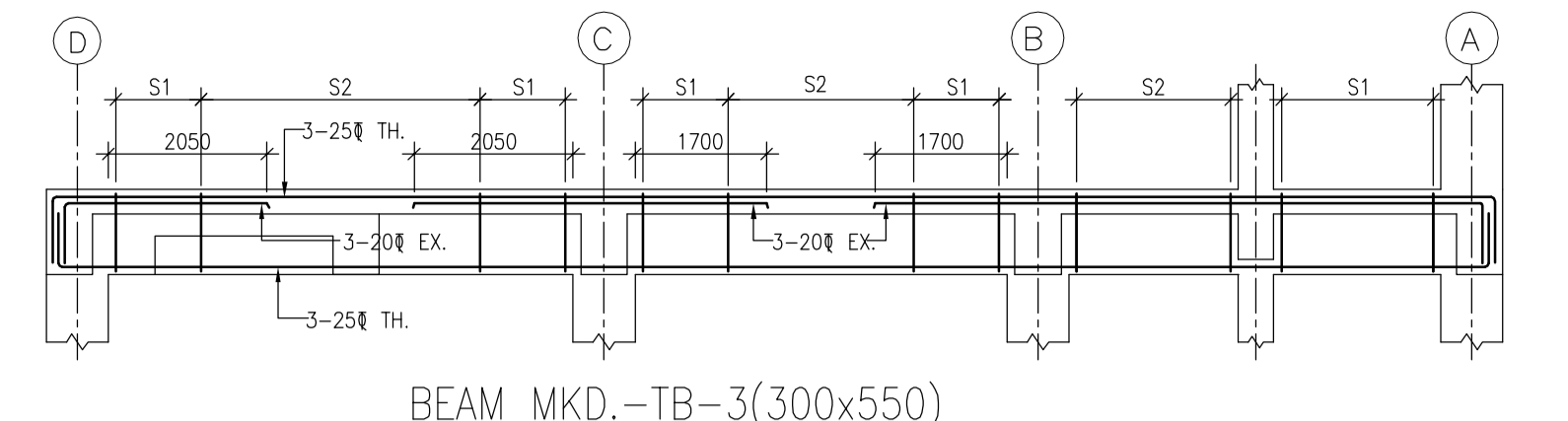
1. ALL DIMENSIONS ARE IN mm & LVL'S IN m.
2. READ IN CONJUNCTION WITH RELEVANT ARCH. DRG.
3. FINISHED FLOOR LVL TO BE CONFIRMED AS/ARCH. DRGS, THE SLAB TOP LEVEL TO BE WORKED OUT SUITABLY CONSIDERING FLOOR FINISH THICKNESS.
4. CLEAR COVER OF R/F TO BE AS BELOW:-
COLUMN = 40mm
BEAM = 25mm
5. CONC. MIX. TO BE M-25 FOR ALL RCC WORK AS PER IS:456-2000
6. ALL R/F BARS TO BE Fe500 Mpa. HYSD OR TMT STEEL AS PER IS:1786.
7. ALL LAP LENGTHS = 50xSMALLER BAR Ø. ALL LAPS TO PLANNED SUITABLY AS PER SITE REQUIREMENT.
8. DEVELOPMENT LENGTH = 50xBAR Ø.



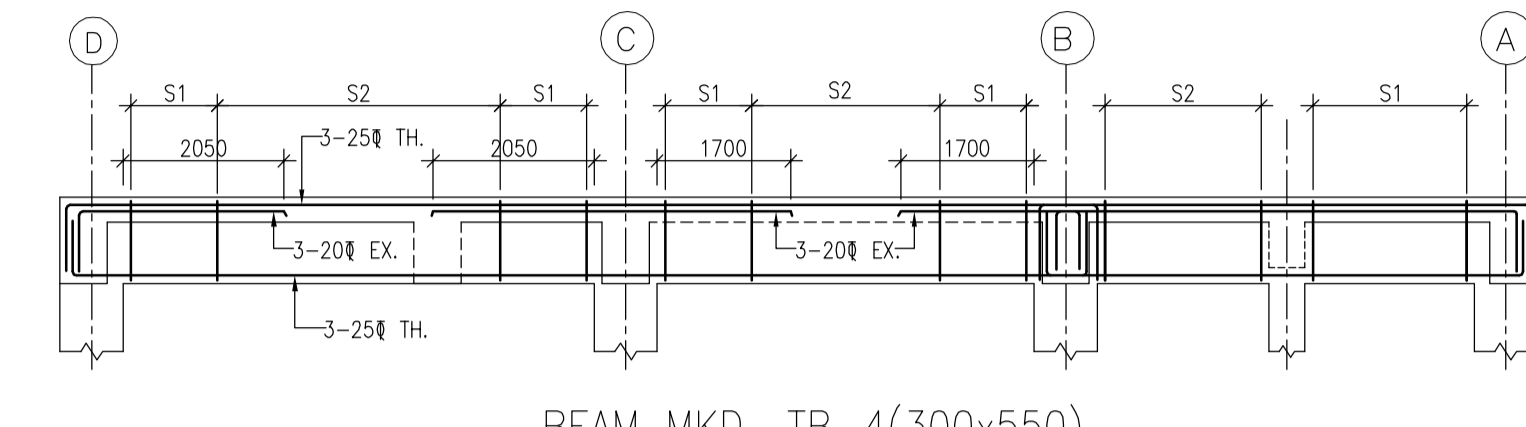
BEAM MKD.-TB-1(300x550)



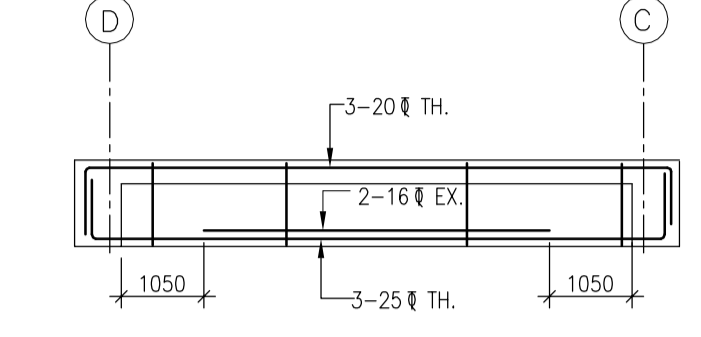
BEAM MKD.-TB-2(300x550)



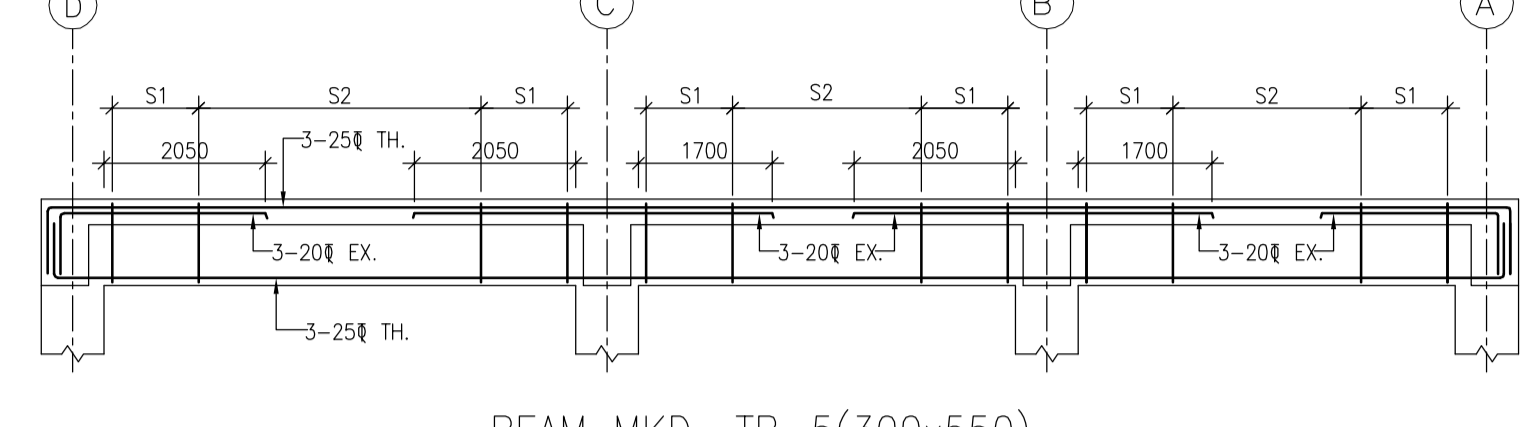
BEAM MKD.-TB-3(300x550)



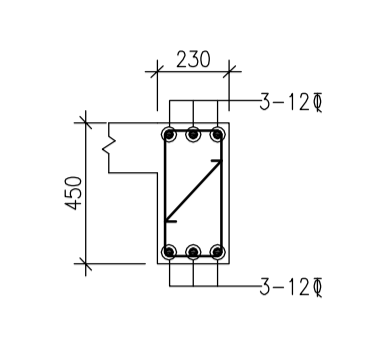
BEAM MKD.-TB-4(300x550)



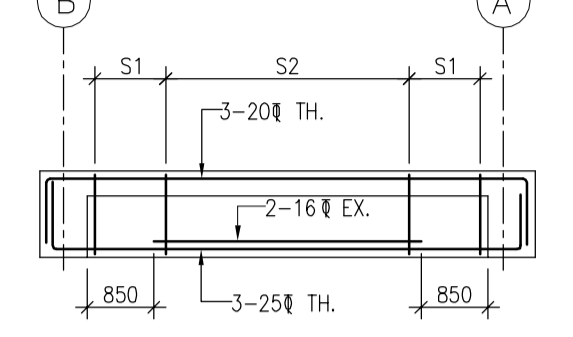
BEAM MKD.-TB-5a(300x550)



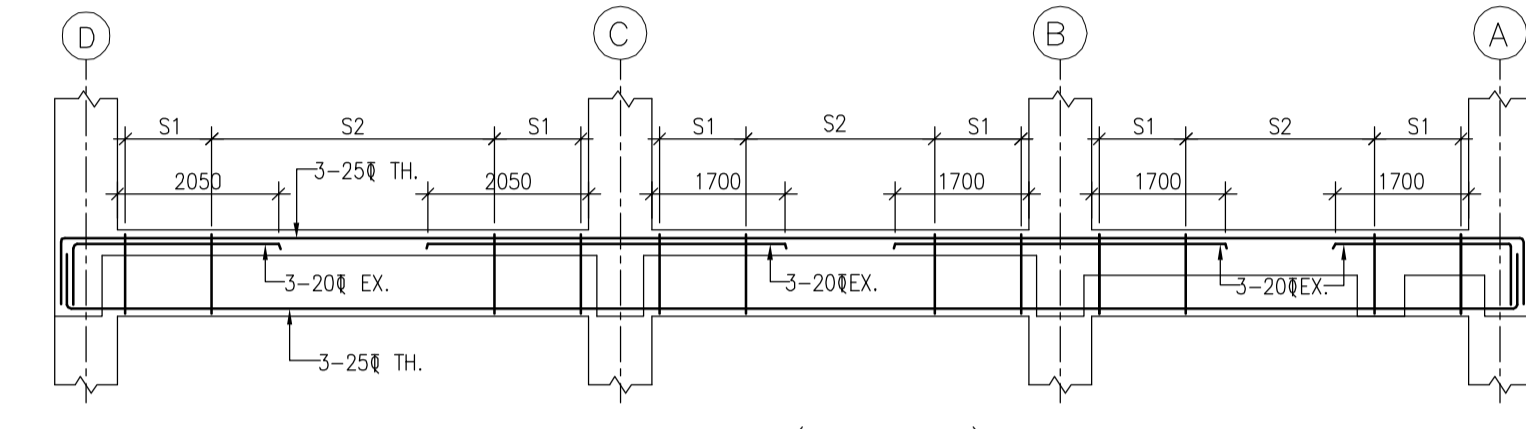
BEAM MKD.-TB-5(300x550)



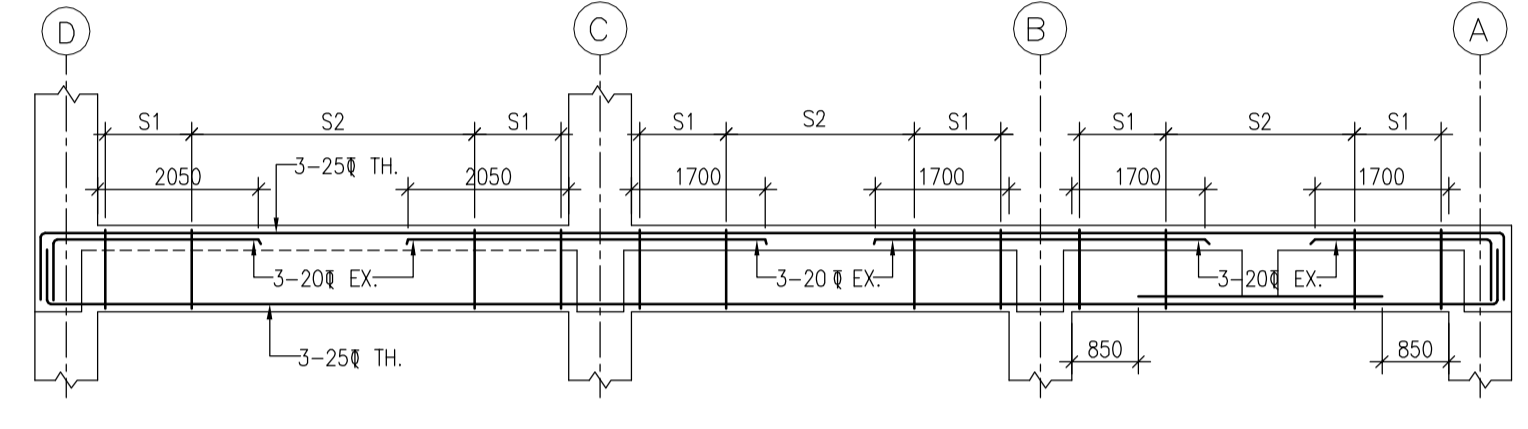
BEAM MKD.-TB-8
(230x450)



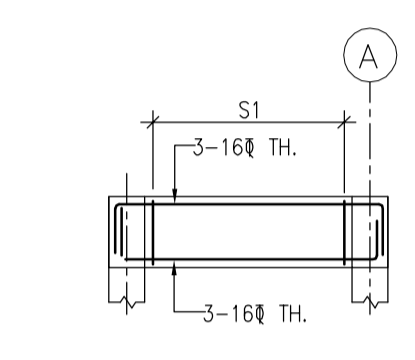
BEAM MKD.-TB-9(300x550)



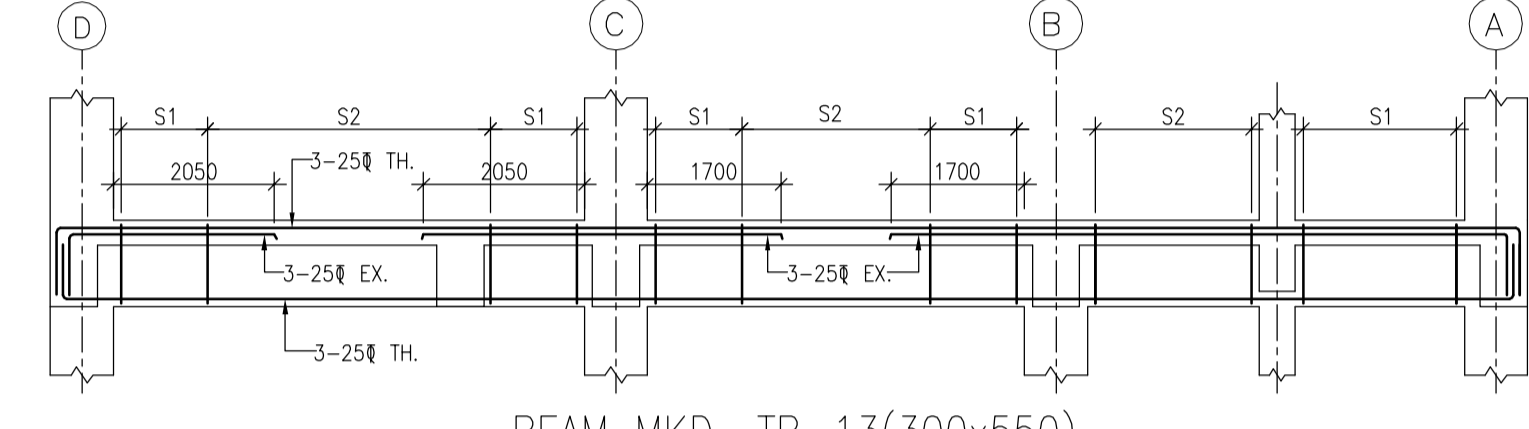
BEAM MKD.-TB-7(300x550)



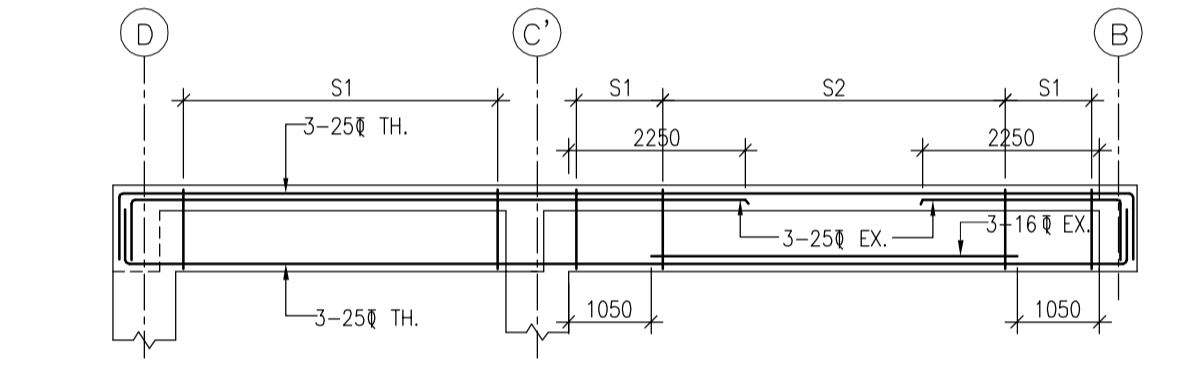
BEAM MKD.-TB-10(300x550)



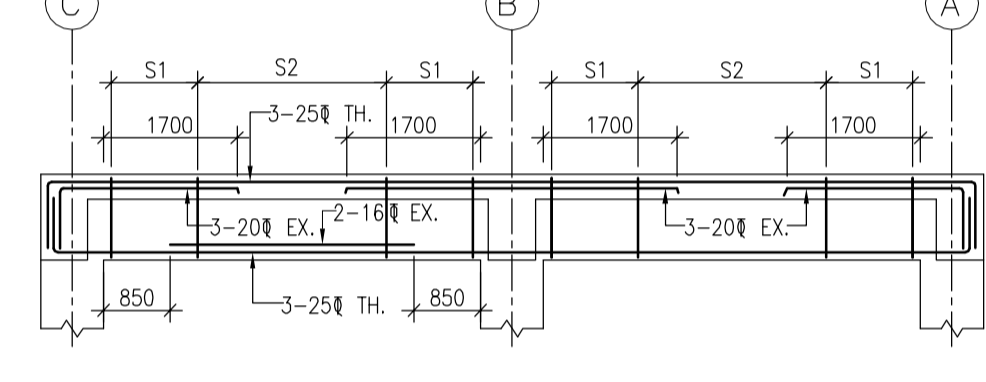
BEAM MKD.-TB-11(230x450) &
BEAM MKD.-TB-12(230x450)



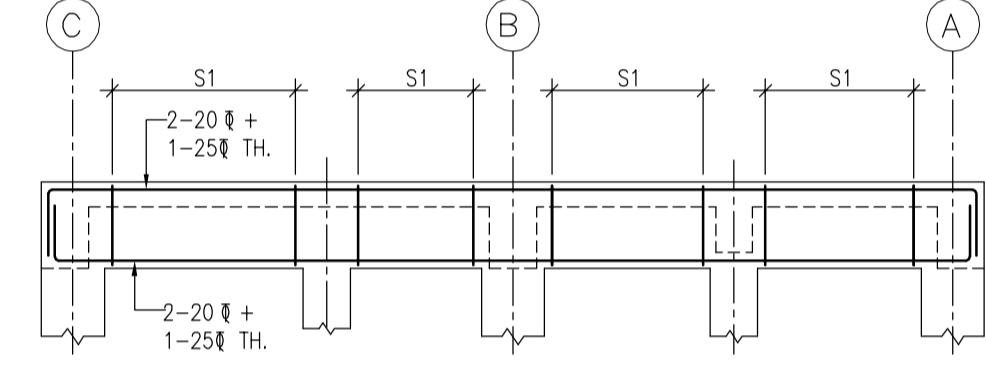
BEAM MKD.-TB-13(300x550)



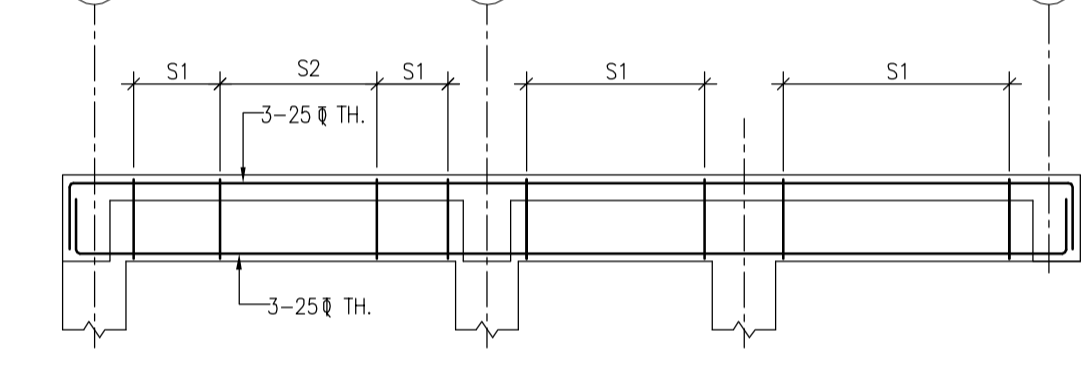
BEAM MKD.-TB-14(300x550)



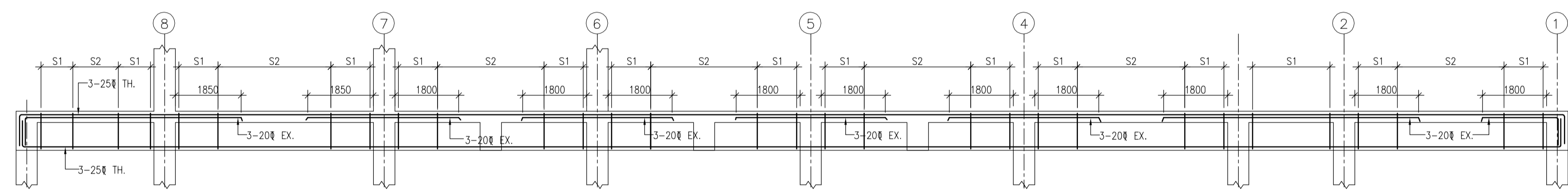
BEAM MKD.-TB-15(300x550)



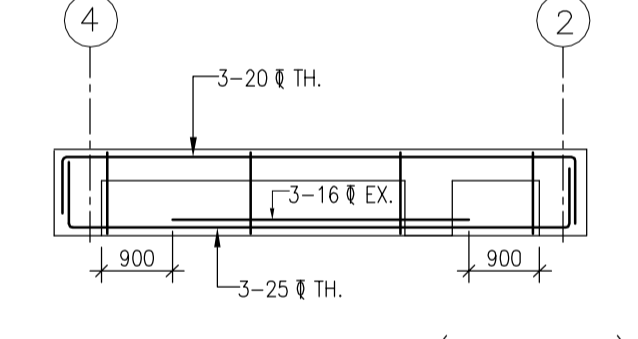
BEAM MKD.-TB-16(300x550)



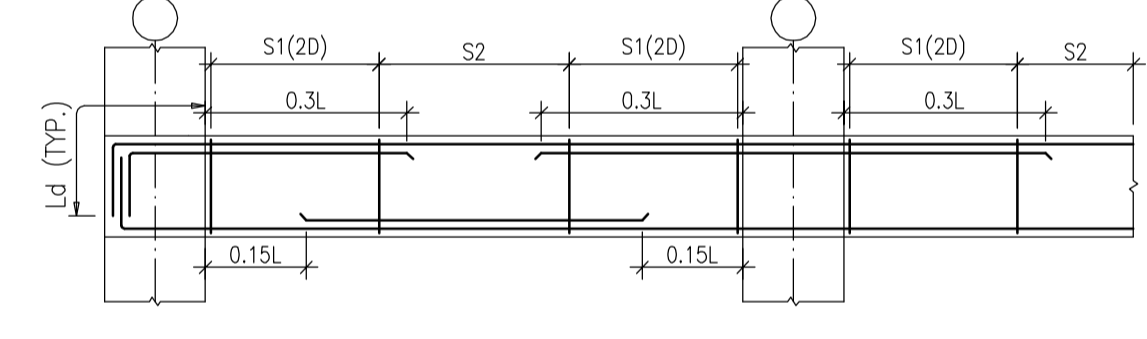
BEAM MKD.-TB-18(300x550)



BEAM MKD.-TB-17(300x550)

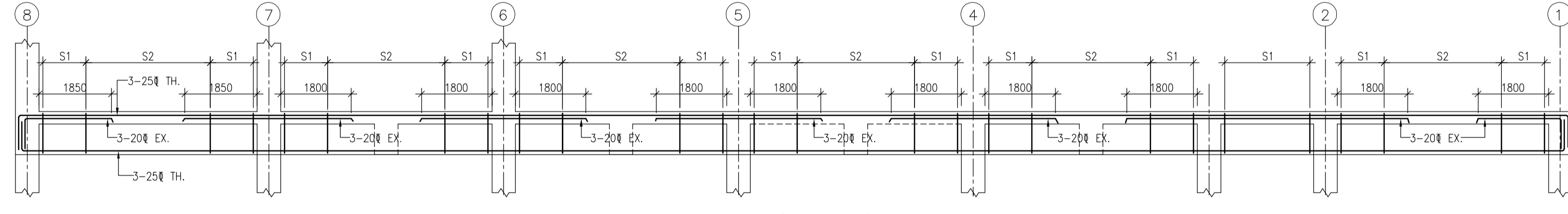


BEAM MKD.-TB-17a(300x550)

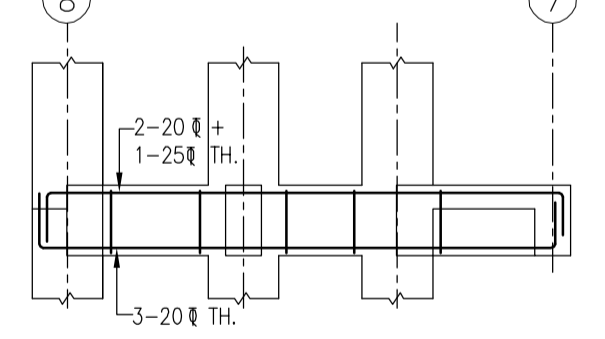


BEAM MKD.-TB-22(300x450)

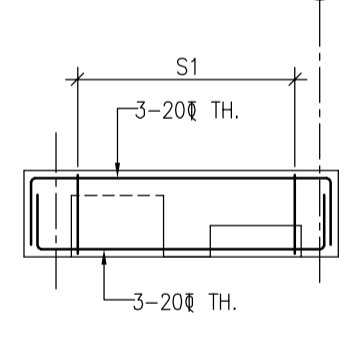
D = DEVELOPMENT DEPTH OF BEAM
TYP. BEAM R/F DETAILS



BEAM MKD.-TB-19(300x550)



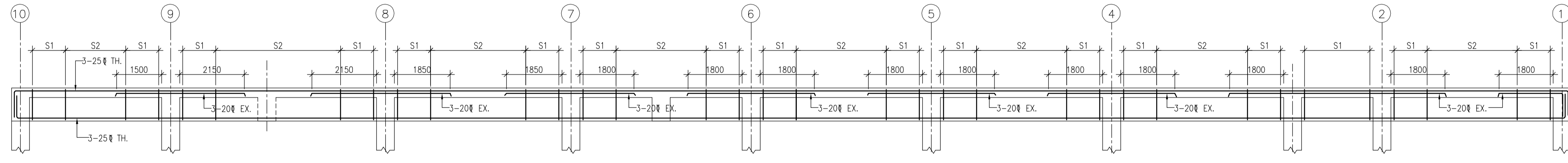
BEAM MKD.-TB-21(230x450)



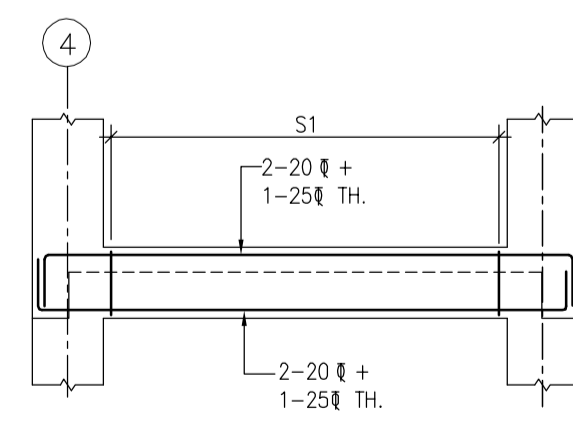
BEAM MKD.-TB-23(230x450)

STIRRUPS SCHEDULE:-

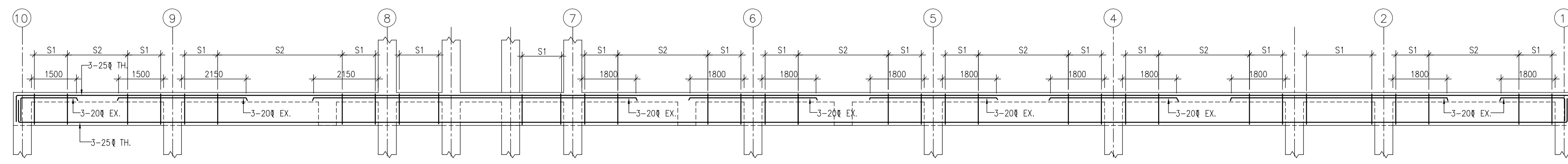
MKD.	RINGS
S1	8Ø.2L @ 100c/c
S2	8Ø.2L @ 150c/c



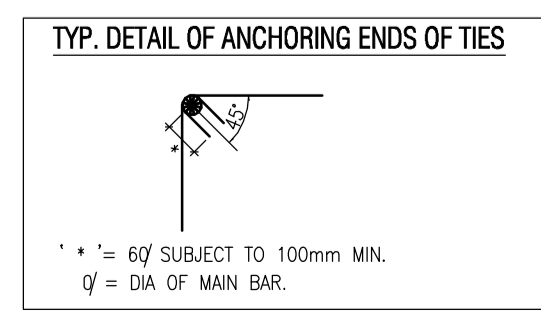
BEAM MKD.-TB-20(300x550)



BEAM MKD.-TB-23(230x450)



BEAM MKD.-TB-24(300x550)



REV.	DATE	DESCRIPTION

REVISION

PROJECT

Proposed 50 Bedded Hospital at JASHPUR CHATTISGARH

TITLE

NRHM PROJECT

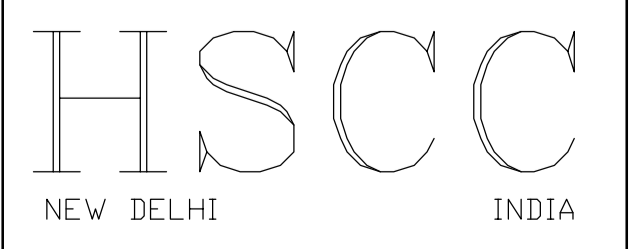
TERRACE LVL. BEAM R/F DETAILS

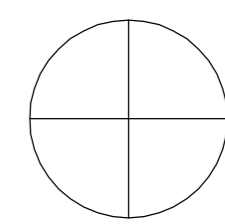
HSCC/EP210/WORKING/CHATTISGARH/BHAI/ST-

Drawing No. REV. 0

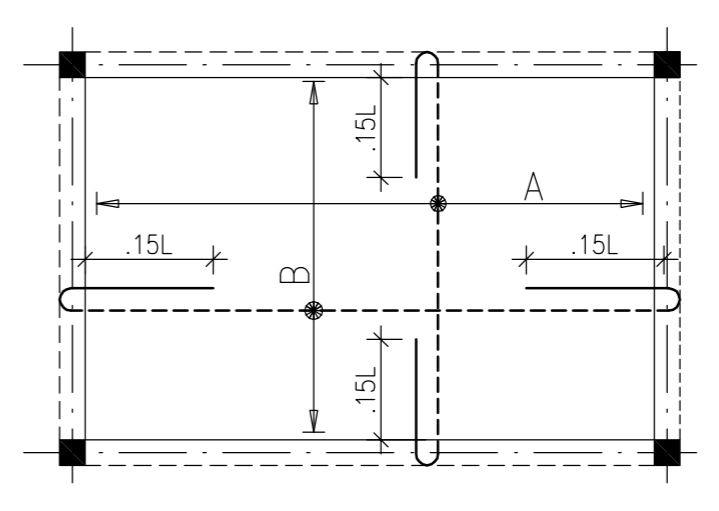
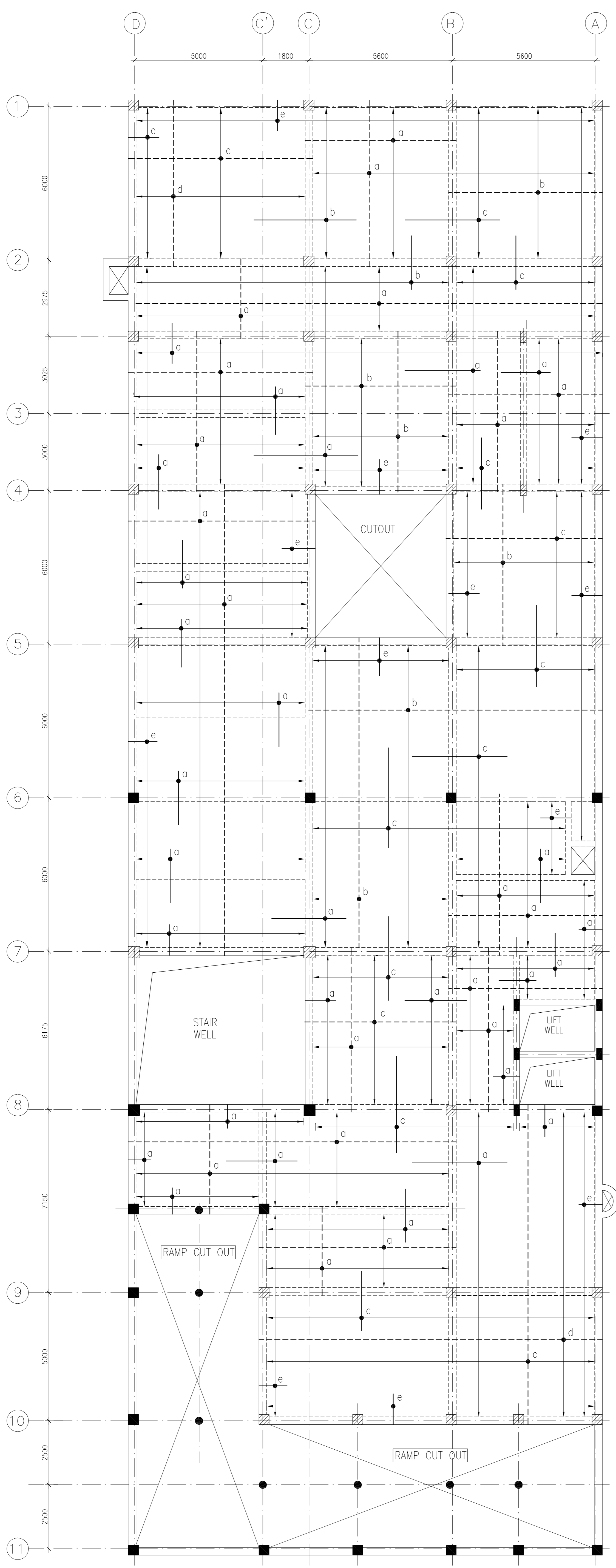
HSCC JOB No.	SCALE	DATE
IIT-DELHI	HSCC	HSCC
APPROVED	REVIEWED	PREPARED

HSCC INDIA LTD.
(A GOVERNMENT OF INDIA ENTERPRISE)

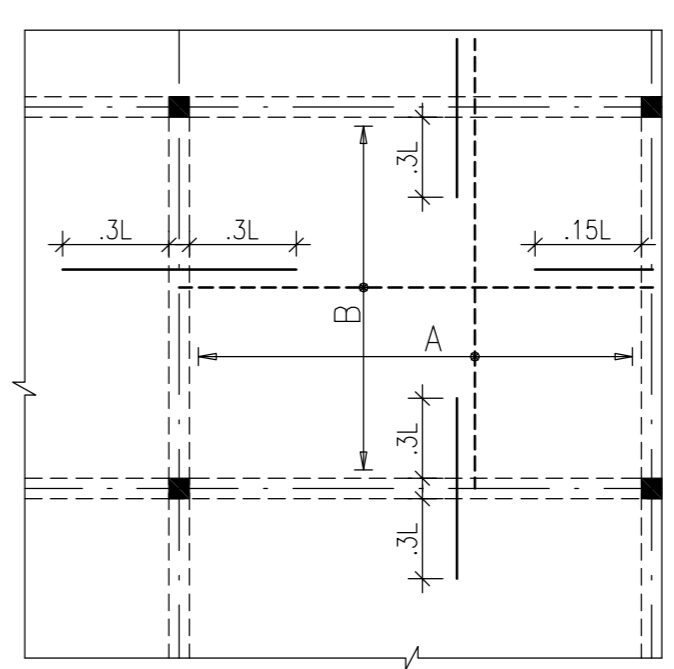




This drawing with all its contents is the sole intellectual property of the Hospital Services Consultancy Corporation (India) Ltd. Copying of this drawing or part thereof or its use in any form whatsoever without the written permission of HSCC is prohibited.



TYP. SUNKEN SLAB R/F DETAIL



TYP. SLAB R/F DETAIL

a	8 Φ @175 c/c
b	8 Φ @150 c/c
c	8 Φ @100 c/c
d	10 Φ @150 c/c
e	8 Φ @200c/c

Dist. steel 8 Φ @200 c/c shall be provided wherever required (not shown in plan)

NOTES

1. ALL DIMENSIONS ARE IN mm & LVLS IN m.
2. READ IN CONJUNCTION WITH RELEVANT ARCH. DRG.
3. FINISHED FLOOR LVL TO BE CONFIRMED AS/ARCH. DRGS. THE SLAB TOP LEVEL TO BE WORKED OUT SUITABLY CONSIDERING FLOOR FINISH THICKNESS.
4. CLEAR COVER OF R/F TO BE AS BELOW:-
 BEAM = 25mm
 SLAB = 20mm
5. CONC. MIX. TO BE M-25 FOR ALL RCC WORK AS PER IS:456-2000
6. ALL R/F BARS TO BE Fe500 Mpa. HYSD OR TMT STEEL AS PER IS:1786.

DATE	DESCRIPTION

REVISION

PROJECT

Proposed 50 Bedded Hospital at JASHPUR CHATTISGARH

TITLE

NRHM PROJECT

TERRACE LVL. SLAB R/F DETAILS

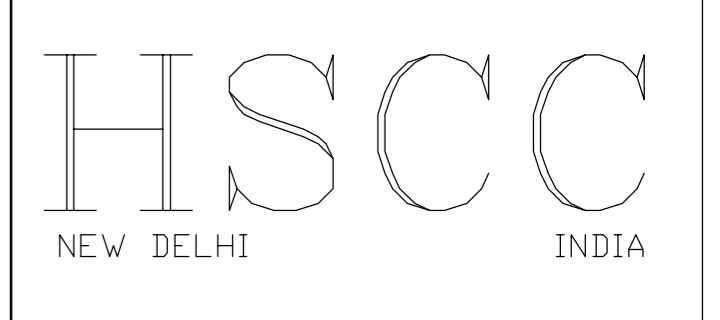
HSCC/EV210/WORKING/CHATTISGARH/BHAL/ST-

Drawing No. REV. 0

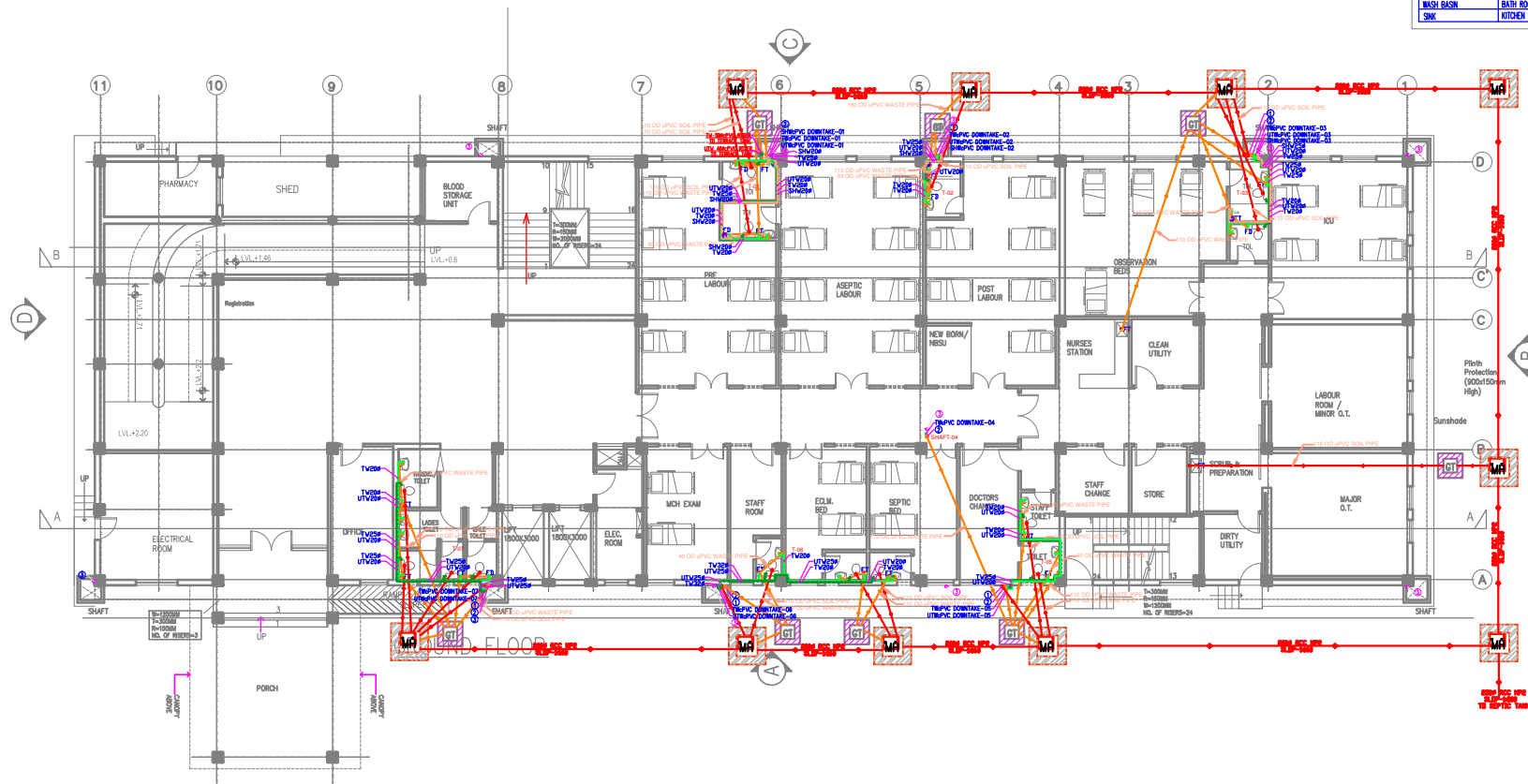
JOB No.	SCALE	DATE

APPROVED	REVIEWED	PREPARED

HSCC INDIA LTD.
(A GOVERNMENT OF INDIA ENTERPRISE)



TERRACE LVL. SLAB R/F DETAILS
(ALL SLAB 150 mm THK. U.N.O.)



PIPE SCHEDULE:		
SNO.	DESCRIPTION	SYMBOL
1.	MANHOLE TO MANHOLE (WC NP2)	150P
2.	GULLY TRAP TO MANHOLE (S.W.)	150P
3.	WC TO MANHOLE (CL)	150P
4.	SOIL AND VENT PIPE TO MANHOLE (CL)	100P
5.	WASTE AND VENT PIPE TO GULLY TRAP (CL)	100/75P
6.	FLOOR TRAP TO GULLY TRAP (CL)	100/75P
7.	FLOOR TRAP TO WASTE AND VENT PIPE (CL)	100/75P
8.	FLOOR DRAIN TO FLOOR TRAP (CL)	50 P
9.	BOTTLE TRAP TO FLOOR TRAP (CL)	32 P
10.	BOTTLE TRAP TO URINAL TRAP (CL)	40 P

HEIGHT OF FIXTURES		
FIXTURES	LOCATION	HEIGHT IN FROM F.F.L.
BB TAP	BATH ROOM	205
CONCEALED STOP COCKS	BATH ROOM	1220
SHOWER	BATH ROOM	2200
GEYSER POSITION	BATH ROOM	1525
ABLUTION TAP	TOILET	300
DISINFECTION FOR WC	BATH ROOM	1000
WASH BASIN	BATH ROOM	850
SINK	KITCHEN	900

LEGEND		
DESCRIPTION	SYMBOL	
100P CCI SOIL PIPE	(1)	
100P CCI WASTE PIPE	(2)	
100P RAIN WATER PIPE	(3)	
COLD WATER SUPPLY PIPE	(4)	
FLUSHING WATER SUPPLY	(5)	
HOT WATER SUPPLY	(6)	

LEGEND:		
DESCRIPTION	SYMBOL	
FLOOR DRAIN CL	FD	
FLOOR TRAP	FT	
BOTTLE TRAP OF BRASS	BT	
ABLUTION TAP OF BRASS	AT	
TW WATER SUPPLY	(Symbol)	
LHW WATER SUPPLY	(Symbol)	
HOT WATER SUPPLY (C.P.V.C. CLASS B)	(Symbol)	
EUROPEAN W.C. WITH TOLTS LOW LEVEL CISTERN & OF FLOW	(Symbol)	
WASH BASIN	(Symbol)	
OVAL SHAPE WASH BASIN	(Symbol)	
GULLY TRAP 300X100	(Symbol)	
CL COVER OF SIZE 300X100	(Symbol)	
MANHOLE 300X90	(Symbol)	
CL COVER OF SIZE 300X450	(Symbol)	
SLICE VALVE	(Symbol)	
NON-RETURN VALVE	(Symbol)	
GEYSER	(Symbol)	
DIVERTOR MIXER	(Symbol)	
SHOWER (WITH SINGLE LEVER DIVERTOR)	(Symbol)	
TROAD GULLY CHAMBER	(Symbol)	

REV	DATE	DESCRIPTION
REVISION		

PROJECT
 NRHM PROJECT
 Proposed 50 Bedded
 Hospital at JASHPUR,
 CHATTISGARH

TITLE
 TENDER DRAWING

GROUND FLOOR PL

PL-01/WD/HOSP/PL-01	Drawing No.	Revision
BSCC/PL-01	1:100	Scale
Job No.	Date	
App by	Chkd. by	Prep. by

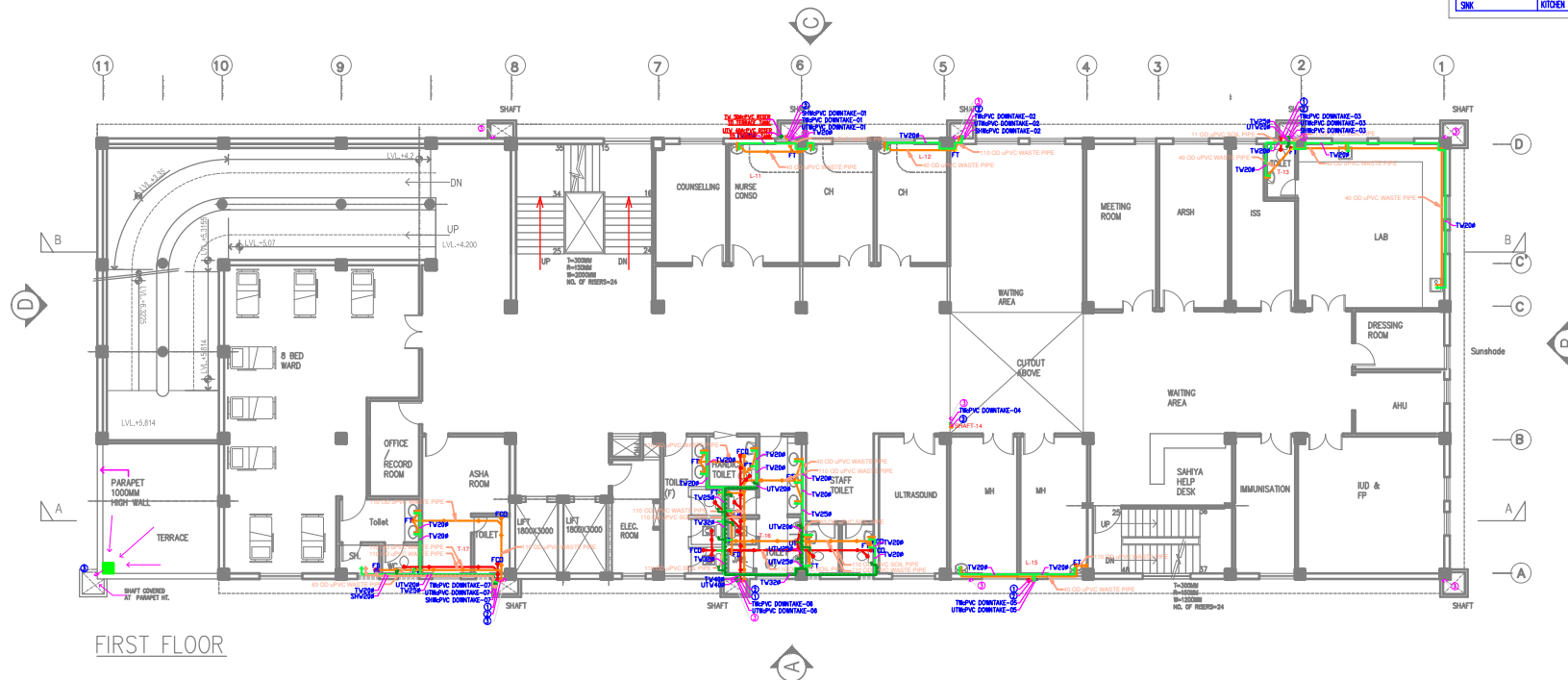
HSCC (INDIA) LIMITED
 (A GOVERNMENT OF INDIA ENTERPRISES)
HSCC
 NEW DELHI INDIA

PIPE SCHEDULE:		
SNO.	DESCRIPTION	SYMBOL
1.	MANHOLE TO MANHOLE (M2)	150P
2.	GULLY TRAP TO MANHOLE (G2M)	150P
3.	W.C TO MANHOLE (CL)	150P
4.	SOL AND VENT PIPE TO MANHOLE (CL)	100P
5.	WASTE AND VENT PIPE TO GULLY TRAP (CL)	100/75P
6.	FLOOR TRAP TO GULLY TRAP (CL)	100/75P
7.	FLOOR TRAP TO WASTE AND VENT PIPE (CL)	100/75P
8.	FLOOR DRAIN TO FLOOR TRAP (CL)	50 P
9.	BOTTLE TRAP TO FLOOR TRAP (CL)	32 P
10.	BOTTLE TRAP TO URINAL TRAP (CL)	40 P

HEIGHT OF FIXTURES		
FIXTURES	LOCATION	HEIGHT IN FROM F.F.L.
BB TAP	BATH ROOM	205
CONCEALED STOP COCKS	BATH ROOM	1220
SHOWER	BATH ROOM	2200
GEYSER POSITION	BATH ROOM	1525
ABLUTION TAP	TOILET	300
DESIGN FOR W.C.	TOILET	1000
WASH BASIN	BATH ROOM	850
SINK	KITCHEN	900

LEGEND		
DESCRIPTION	SYMBOL	
100# CCI SOL PIPE	(1)	
100# CCI WASTE PIPE	(2)	
100# RAIN WATER PIPE	(3)	
COLD WATER SUPPLY PIPE	(4)	
FLUSHING WATER SUPPLY	(5)	
HOT WATER SUPPLY	(6)	

LEGEND:		
DESCRIPTION	SYMBOL	
FLOOR DRAIN CL	FD	
FLOOR TRAP	FT	
BOTTLE TRAP OF BRASS	BT	
ABLUTION TAP OF BRASS	AT	
TW WATER SUPPLY	(Symbol)	
LHW WATER SUPPLY	(Symbol)	
HOT WATER SUPPLY (C.P.V.C. CLASS B)	(Symbol)	
EUROPEAN W.C. WITH 10LTS LOW LEVEL CISTERN & OF FLOW	(Symbol)	
WASH BASIN	(Symbol)	
OVAL SHAPE WASH BASIN	(Symbol)	
GULLY TRAP 300X100	(Symbol)	
CL COVER OF SIZE 300X300	(Symbol)	
MANHOLE 900X900	(Symbol)	
CL COVER OF SIZE 500X450	(Symbol)	
SLUICE VALVE	(Symbol)	
NON-RETURN VALVE	(Symbol)	
GEYSER	(Symbol)	
DIVERTOR MIXER	(Symbol)	
SHOWER (WITH SINGLE LEVER DIVERTOR)	(Symbol)	
ROAD GULLY CHAMBER	(Symbol)	



FIRST FLOOR

REV	DATE	DESCRIPTION
REVISION		

PROJECT
 NRHM PROJECT
 Proposed 50 Bedded
 Hospital at JASHPUR,
 CHATTISGARH

TITLE
 TENDER DRAWING

FIRST FLOOR PLAN

PL-02/WD/HOSP/PL-02		Revision
Drawing No.		
BSSC/PL-02	1:100	Date
Job No.	Scale	
App by	Chkd. by	Prep. by

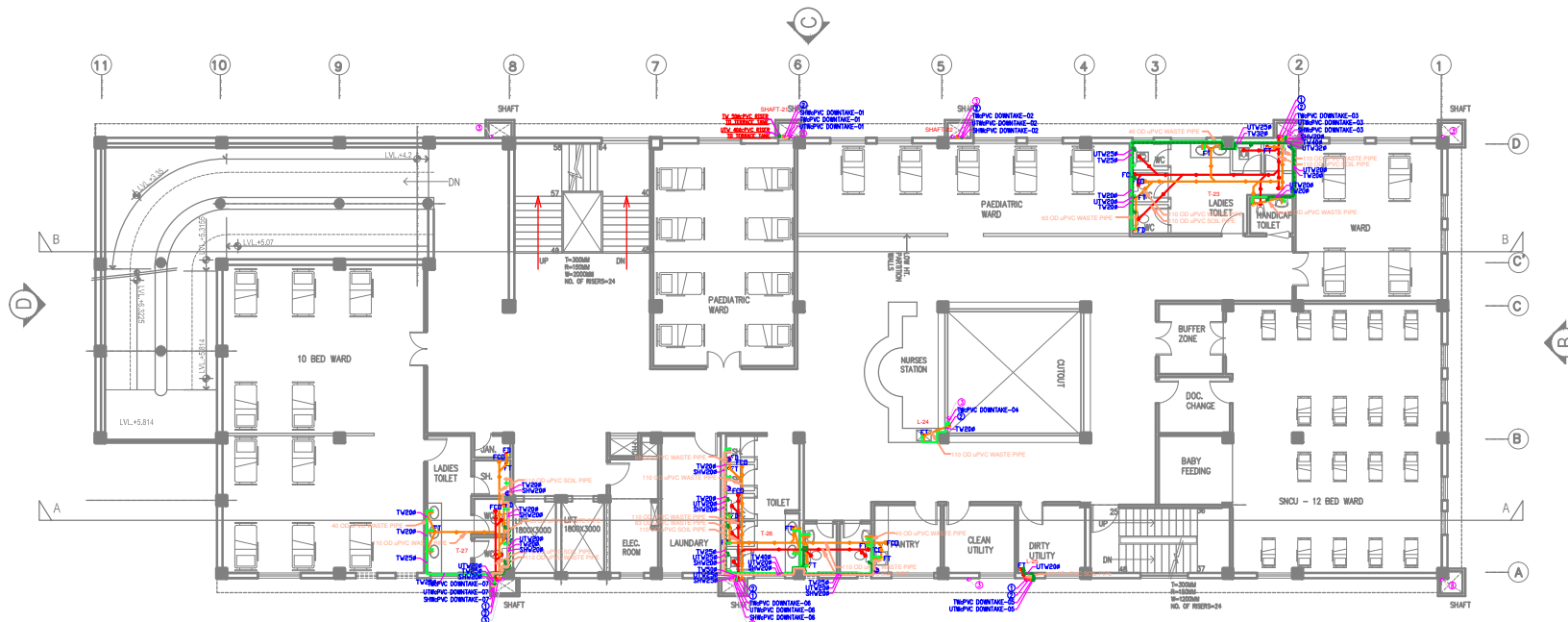
HSCC (INDIA) LIMITED
 (A GOVERNMENT OF INDIA ENTERPRISES)
HSCC
 NEW DELHI INDIA

PIPE SCHEDULE:		
SNO.	DESCRIPTION	SYMBOL
1.	MANHOLE TO MANHOLE (M2)	150P
2.	GULLY TRAP TO MANHOLE (M2)	150P
3.	M.C TO MANHOLE (CL)	150P
4.	SOL AND VENT PIPE TO MANHOLE (CL)	100P
5.	WASTE AND VENT PIPE TO GULLY TRAP (CL)	100/75P
6.	FLOOR TRAP TO WASTE AND VENT PIPE (CL)	100/75P
7.	FLOOR TRAP TO WASTE AND VENT PIPE (CL)	100/75P
8.	FLOOR DRAIN TO FLOOR TRAP (CL)	50 P
9.	BOTTLE TRAP TO FLOOR TRAP (CL)	32 P
10.	BOTTLE TRAP TO URINAL TRAP (CL)	40 P

HEIGHT OF FIXTURES		
FIXTURES	LOCATION	HEIGHT IN FROM F.F.L.
BB TAP	BATH ROOM	855
CONCEALED STOP COCKS	BATH ROOM	1220
SHOWER	BATH ROOM	2200
GEYSER POSITION	BATH ROOM	1525
ABLUTION TAP	TOILET	300
DISHEEN FOR WC	TOILET	1000
WASH BASIN	BATH ROOM	850
SINK	KITCHEN	900

LEGEND		
NO.	DESCRIPTION	SYMBOL
1	100P CCI SOL PIPE	(1)
2	100P CCI WASTE PIPE	(2)
3	100P RAIN WATER PIPE	(3)
4	COLD WATER SUPPLY PIPE	(4)
5	FLUSHING WATER SUPPLY	(5)
6	HOT WATER SUPPLY	(6)

LEGEND:		
NO.	DESCRIPTION	SYMBOL
1	FLOOR DRAIN CL	FD
2	FLOOR TRAP	FT
3	BOTTLE TRAP OF BRASS	BT
4	ABLUTION TAP OF BRASS	AT
5	TW WATER SUPPLY	(5)
6	LHW WATER SUPPLY	(6)
7	HOT WATER SUPPLY (C.P.V.C. CLASS B)	(7)
8	EUROPEAN W.C. WITH 10LTS LOW LEVEL CISTERN & OF FLOW	(8)
9	WASH BASIN	(9)
10	OVAL SHAPE WASH BASIN	(10)
11	GULLY TRAP 300X100 C.I COVER OF SIZE 300X100	(11)
12	MANHOLE 900X900 C.I COVER OF SIZE 500X450	(12)
13	SLICE VALVE	(13)
14	NON-RETURN VALVE	(14)
15	GEYSER	(15)
16	DIVERTOR MIXER	(16)
17	SHOWER (WITH SINGLE LEVER DIVERTOR)	(17)
18	ROAD GULLY CHAMBER	(18)



SECOND FLOOR

REV	DATE	DESCRIPTION

PROJECT
 NRHM PROJECT
 Proposed 50 Bedded
 Hospital at JASHPUR,
 CHATTISGARH

TITLE
 TENDER DRAWING

SECOND FLOOR PLAN

PL-03/WD/HOSP/PL-03	Drawing No.	Revision
BSCC/PL-03	Job No.	1:100
	Scale	Date
App by	Chkd. by	Prep. by

HSCC (INDIA) LIMITED
 (A GOVERNMENT OF INDIA ENTERPRISE)
HSCC
 NEW DELHI INDIA