

HSCC (INDIA) LIMITED
(A Subsidiary of NBCC (India) Limited)
(A GOVERNMENT OF INDIA ENTERPRISE)
E-6A, Sector-01, Noida-201301

Dated: 18.04.2023

AMENDMENT No.-I

Tender for Geotechnical Investigation & Topographical Survey for “Construction of Critical Care Blocks at Shimla, Tanda, Nerchowk (Mandi) & Una in the state of Himachal Pradesh” (2nd Call)

Tender No. HSCC/D&E/CCB/HP/GEOTECH_SURVEY/2022 (2nd Call)

This has reference to subject work, the following Amendment may be noted, which shall be treated as a part of the contract to be uploaded along with tender/ bid:

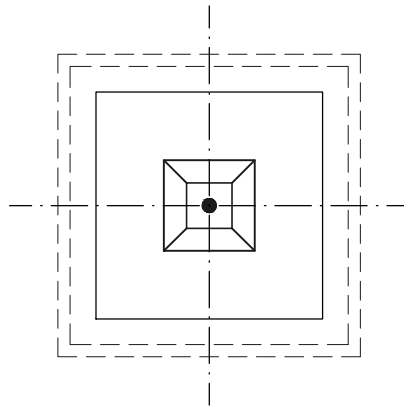
- 1) The consultant shall carry out bench mark by fly-levelling from the nearest GTS bench mark or available source and establish the same on a permanent bench mark to be constructed as per **Fig.1** at a suitable location(s) at site as per the approval of the engineer-in-charge. All subsequent transfer of levels shall be carried out with respect to this bench mark.
- 2) The Last date of Sale, Submission & opening of bids has been extended as follows:

Last date of sale of the tender	upto 11:30 hrs. On 25.04.2023 through e-Tendering
Last date to fill/upload the tender	upto 12:00 hrs. On 25.04.2023 through e-Tendering
Date of Opening of bids	25.04.2023 at 15:00 hrs.

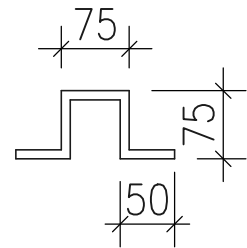
All other terms & Conditions of the Tender shall remain unchanged.

Prospective bidders are advised to regularly scan through HSCC e-tender portal <https://hscenivida.com> & HSCC website <http://www.hsccltd.co.in> as corrigendum/amendments etc., if any, will be notified on this portal only and separate advertisement will not be made for this.

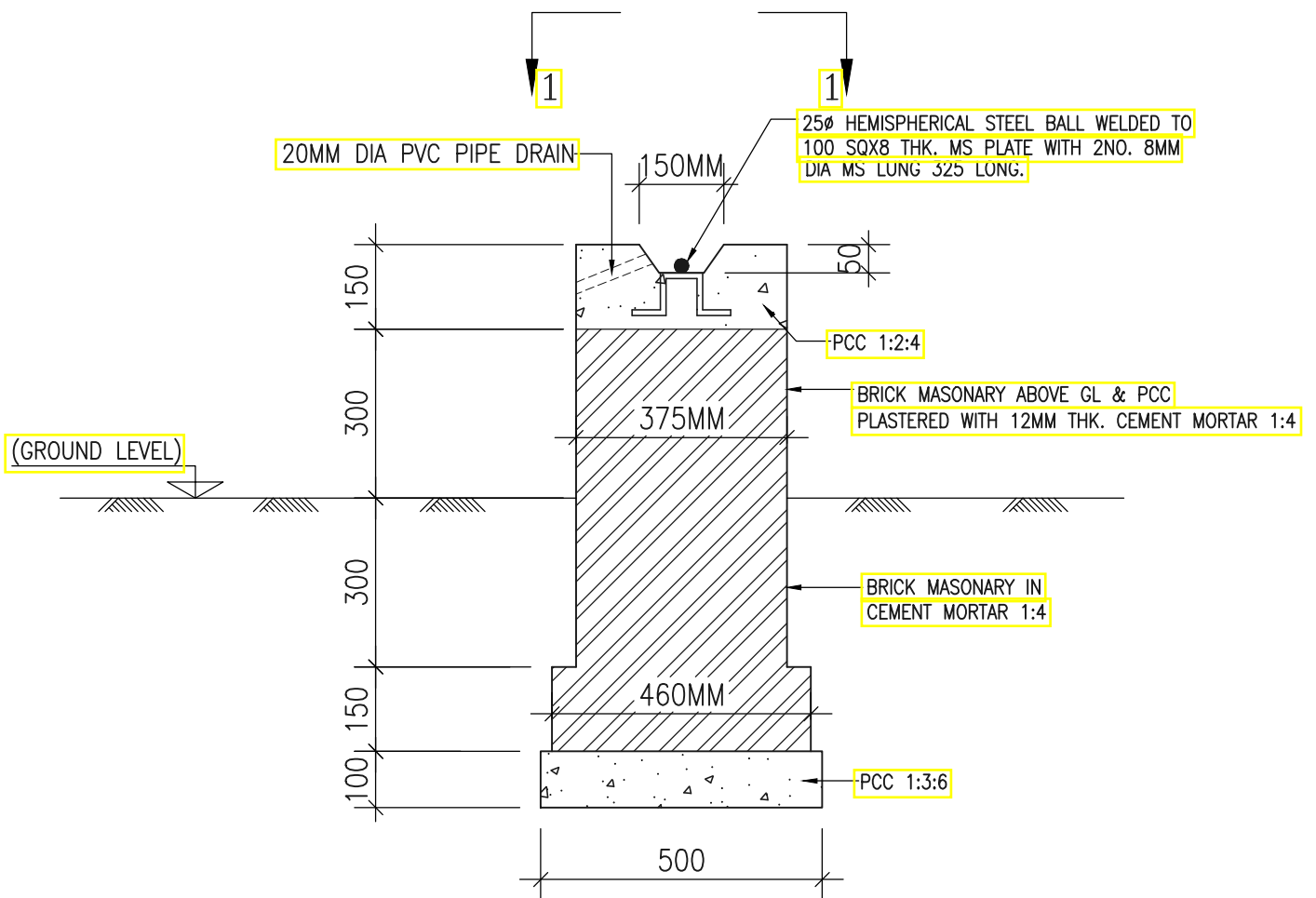
(- Sd -)
Dy. General Manger (Civil Structures)
HSCC (India) Ltd.



VIEW 1-1



LUG DETAILS



BENCH MARK PILLAR

FIG. 1

NOTES.

1. ALL DIMENSIONS ARE IN MM
2. ALL MATERIALS AND WORKMANSHIP SHALL BE AS/SPECIFICATION & RELEVANT IS CODES