

Amendment – I

Name of Work : Repair/renovation of existing General Hospital, Karnal and completion of two newly constructed housing blocks of erstwhile police lines.

Tender Reference : Tender No. HSCC/KCGMC/CIVIL/RW/2012

Amendment in Vol VI

In addition to tender drawings in Vol VI, tender drawings (3 no.) for structure are also enclosed as per list.

1. Foundation plan
2. Plinth beam framing plan
3. Terrace beam framing plan

DGM (D&E), HSCC(I) LTD.

**KALPANA CHAWLA GOVERNMENT MEDICAL COLLEGE,
KARNAL, HARYANA**

Tender

For

**Repair/renovation of existing General Hospital, Karnal
and completion of two newly constructed housing blocks
of erstwhile police lines.**

Volume-VI

Tender Drawings

November' 2012

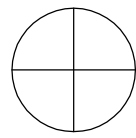


HSCC (INDIA) LTD.
(CONSULTANTS & ENGINEERS FOR MEGA HOSPITALS & LABORATORIES)
E-6(A), sector-1, NOIDA(U.P) 201301 (India)

Phone : 0120-2542436-40

Fax : 0120-2542447

Tender No. HSCC/KCGMC/CIVIL/RW/2012



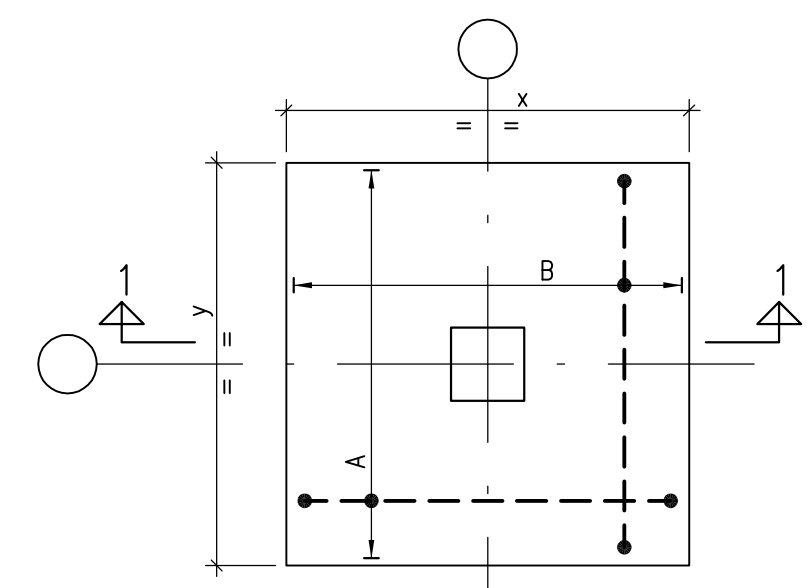
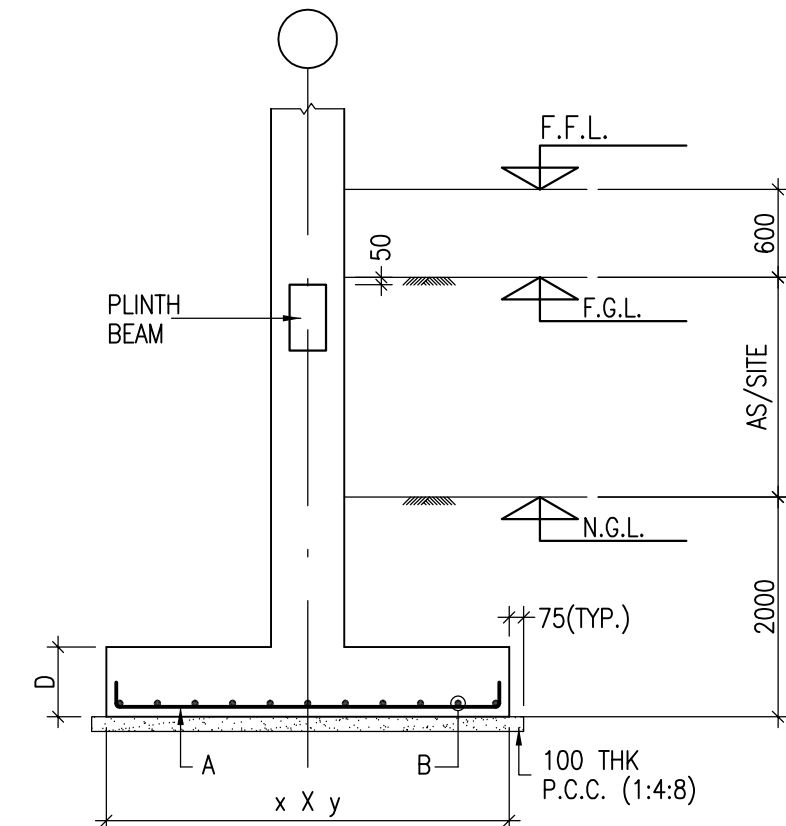
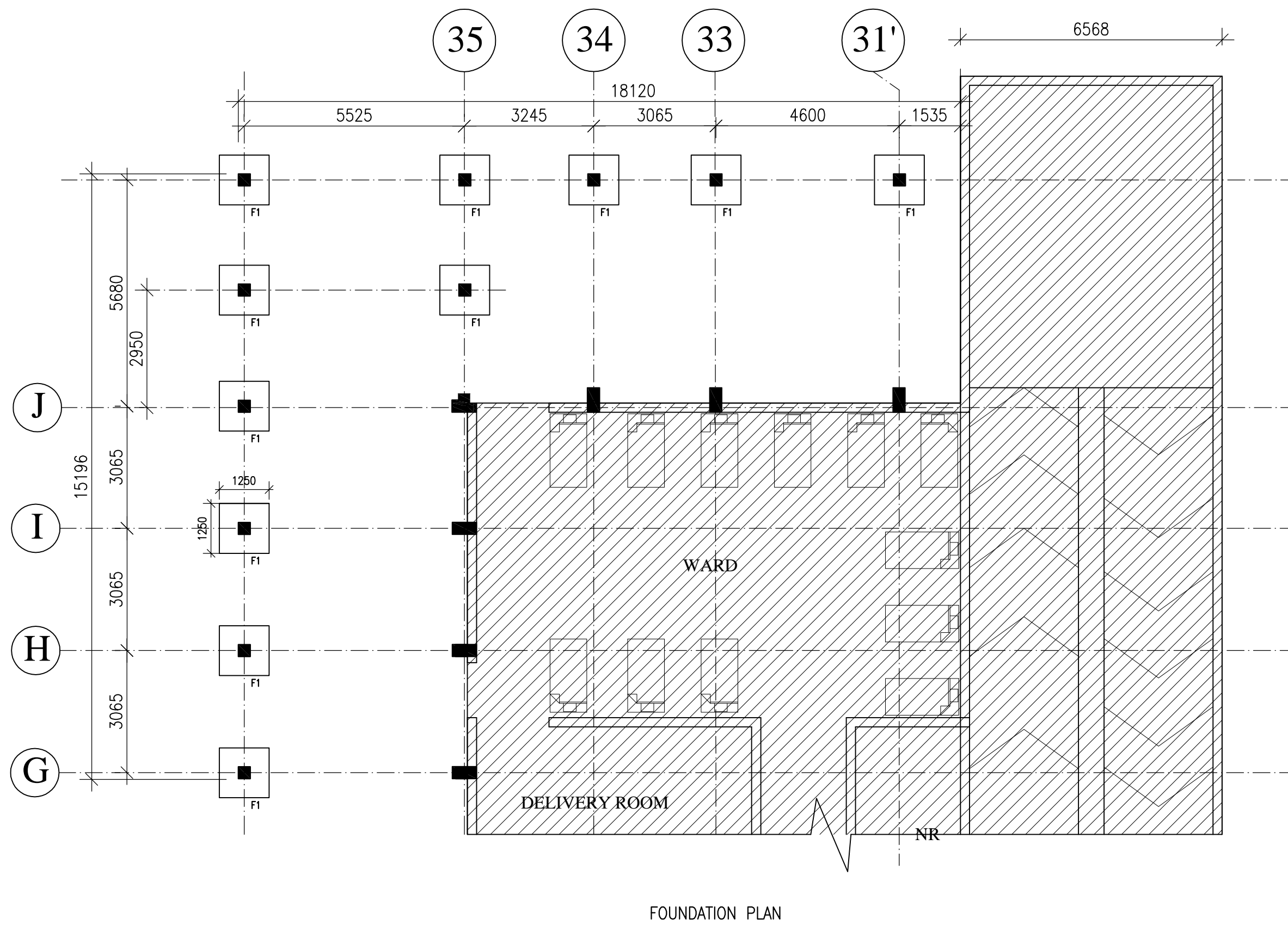
This drawing with all its contents is the sole intellectual property of the Hospital Services Consultancy Corporation (India) Ltd. Copying of this drawing or part thereof or its use in any form whatsoever without the written permission of HSCC is prohibited.

NOTES

1. ALL DIMENSIONS ARE IN mm & LVLS IN m.
2. READ IN CONJUNCTION WITH RELEVANT ARCH. DRG.
3. FINISHED FLOOR LVL TO BE CONFIRMED AS/ARCH. DRGS, THE SLAB TOP LEVEL TO BE WORKED OUT SUITABLY CONSIDERING FLOOR FINISH THICKNESS.
4. CLEAR COVER OF R/F TO BE AS BELOW:-
 FOUNDATION = 50mm
 COLUMN = 40mm
 BEAM = 25mm
 SLAB = 20mm
5. CONC. MIX. TO BE M-25 FOR ALL RCC WORK AS PER IS:456-2000
6. ALL R/F BARS TO BE Fe415 Mpa. HYSD OR TMT STEEL AS PER IS:1786.
7. ALL LAP LENGTHS = 50xSMALLER BAR ϕ . ALL LAPS TO PLANNED SUITABLY AS PER SITE REQUIREMENT.
8. DEVELOPEMENT LENGTH = 50xBAR ϕ .

FOOTING SCHEDULE

S.No.	MKD.	SIZE(xXy)	THK.		REMARKS
			(D)	(d)	
1	F1	1250X1250	-	350	FLAT



REV	DATE	DESCRIPTION
0		

REVISION

PROJECT

PROPOSED
KALPANA CHAWI
GOVERNMENT MEDICAL
COLLEGE AT KAR
HARYANA

TITLE

NEW
EXTENSION

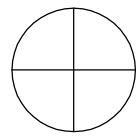
FOUNDATION LAYOUT PLAN

HSCC/ Drawing No.	RE
HSCC/ JOB No.	DE
1:75 SCALE	DATE

APPROVED REVIEWED PREPARED

HSCC INDIA LTD.
A GOVERNMENT OF INDIA ENTERPRISE
HSCC
NEW DELHI INDIA

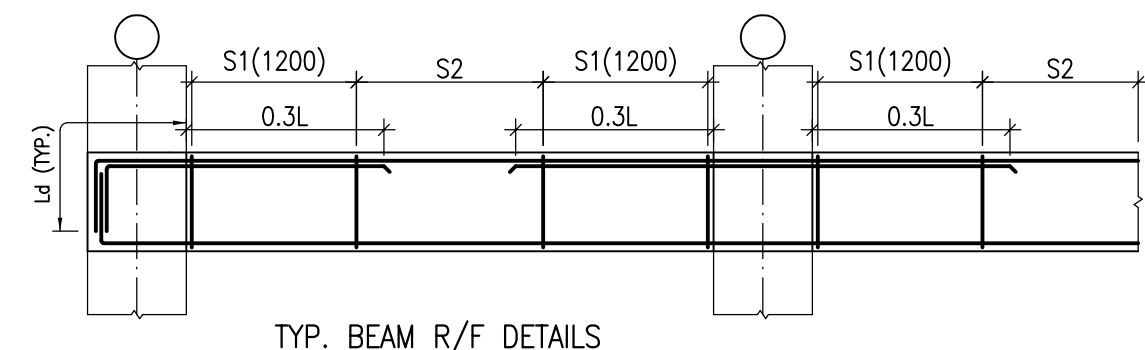
A pdf writer that produces quality PDF files with ease! Produce quality PDF files in seconds and preserve the integrity of your original documents. Compatible across nearly all Windows platforms. If you can print from a windows application you can use pdfMachine. Get yours now!



This drawing with all its contents is the sole intellectual property of the Hospital Services Consultancy Corporation (India) Ltd. Copying of this drawing or part thereof or its use in any form whatsoever without the written permission of HSCC is prohibited.

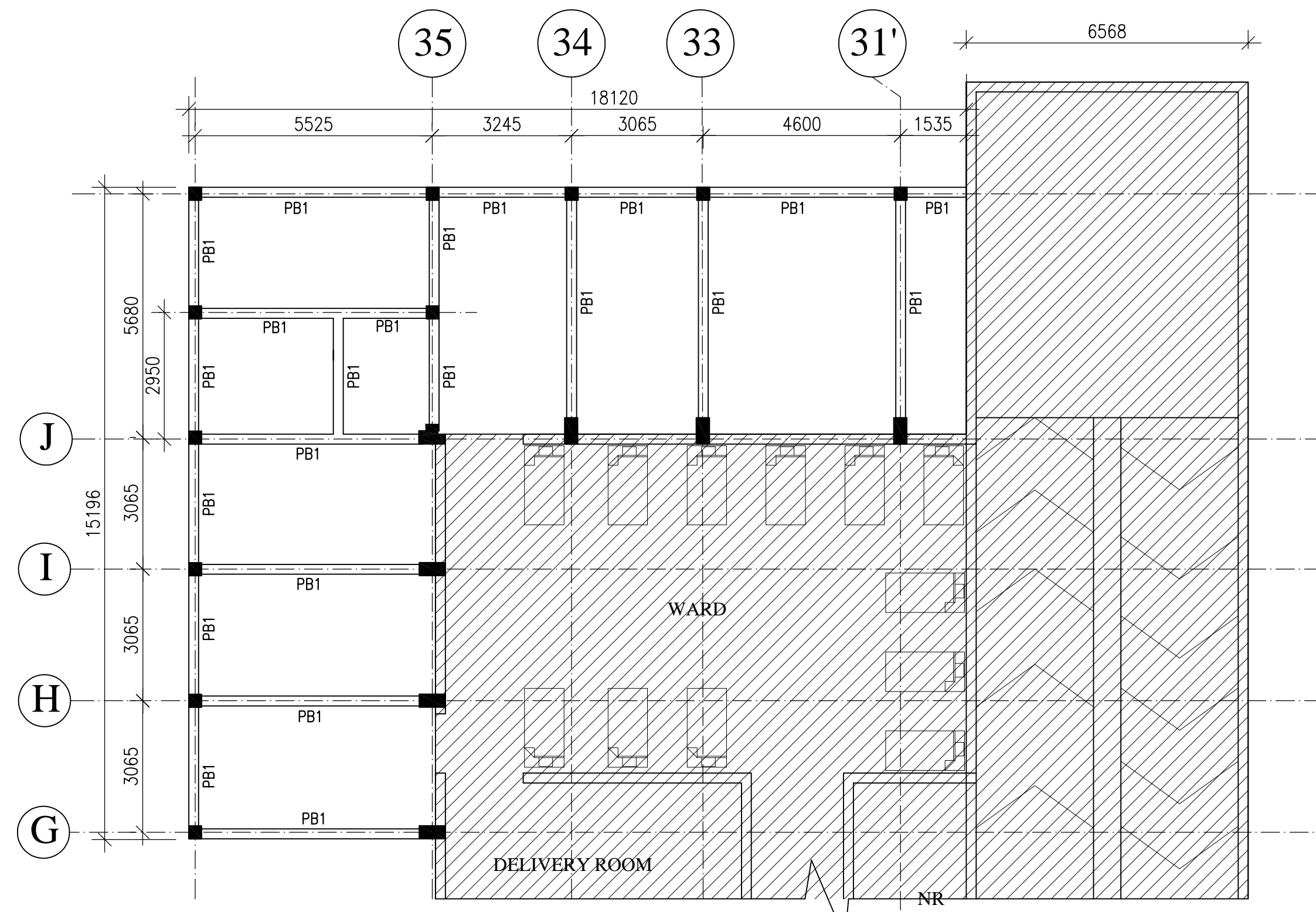
NOTES

1. ALL DIMENSIONS ARE IN mm & LVLS IN m.
2. READ IN CONJUNCTION WITH RELEVANT ARCH. DRG.
3. FINISHED FLOOR LVL TO BE CONFIRMED AS/ARCH. DRGS, THE SLAB TOP LEVEL TO BE WORKED OUT SUITABLY CONSIDERING FLOOR FINISH THICKNESS.
4. CLEAR COVER OF R/F TO BE AS BELOW:-
FOUNDATION = 50mm
COLUMN = 40mm
BEAM = 25mm
SLAB = 20mm
5. CONC. MIX. TO BE M-25 FOR ALL RCC WORK AS PER IS:456-2000
6. ALL R/F BARS TO BE Fe415 Mpa. HYSD OR TMT STEEL AS PER IS:1786.
7. ALL LAP LENGTHS = 50xSMALLER BAR ϕ . ALL LAPS TO PLANNED SUITABLY AS PER SITE REQUIREMENT.
8. DEVELOPEMENT LENGTH = 50xBAR ϕ .



BEAM SCHEDULE:-

BEAM MKD.	SIZE
PB1	230x300



REV	DATE	DESCRIPTION
0		

REVISION

PROJECT

PROPOSED
KALPANA CHAWI
GOVERNMENT MEDICAL
COLLEGE AT KAR
HARYANA

TITLE

NEW
EXTENSION

PLINTH BEAM FRAMING PLAN

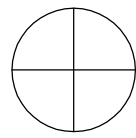
HSCC/

Drawing No.	RE
HSCC/ JOB No.	DEC
1:75 SCALE	DATE
APPROVED	REVIEWED
PRE	

HSCC INDIA LTD.
(A GOVERNMENT OF INDIA ENTERPRISE)

HSCC
INDIA
NEW DELHI

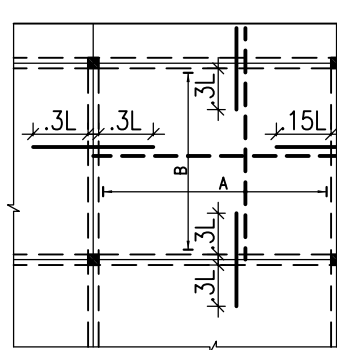
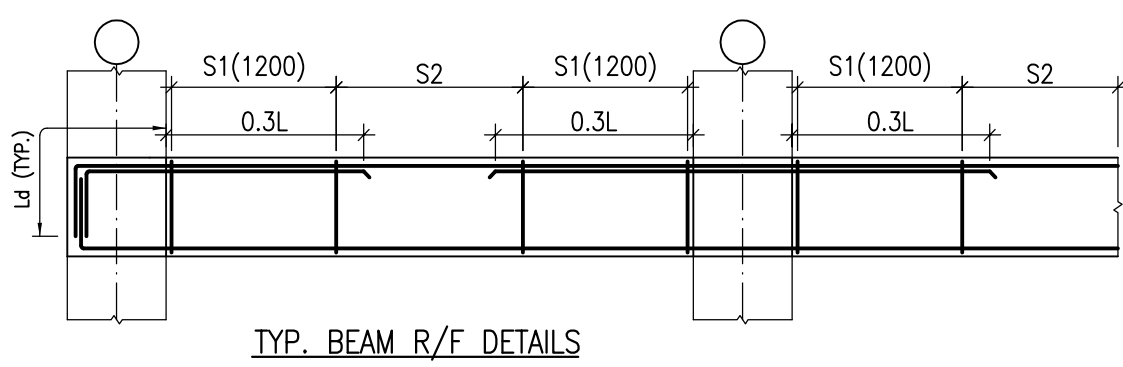
A pdf writer that produces quality PDF files with ease!
Produce quality PDF files in seconds and preserve the integrity of your original documents. Compatible across nearly all Windows platforms. Simply open the document you want to convert, click 'print', select the "Broadgun pdfMachine printer" and that's it! Get yours now!



This drawing with all its contents is the sole intellectual property of the Hospital Services Consultancy Corporation (India) Ltd. Copying of this drawing or part thereof or its use in any form whatsoever without the written permission of HSCC is prohibited.

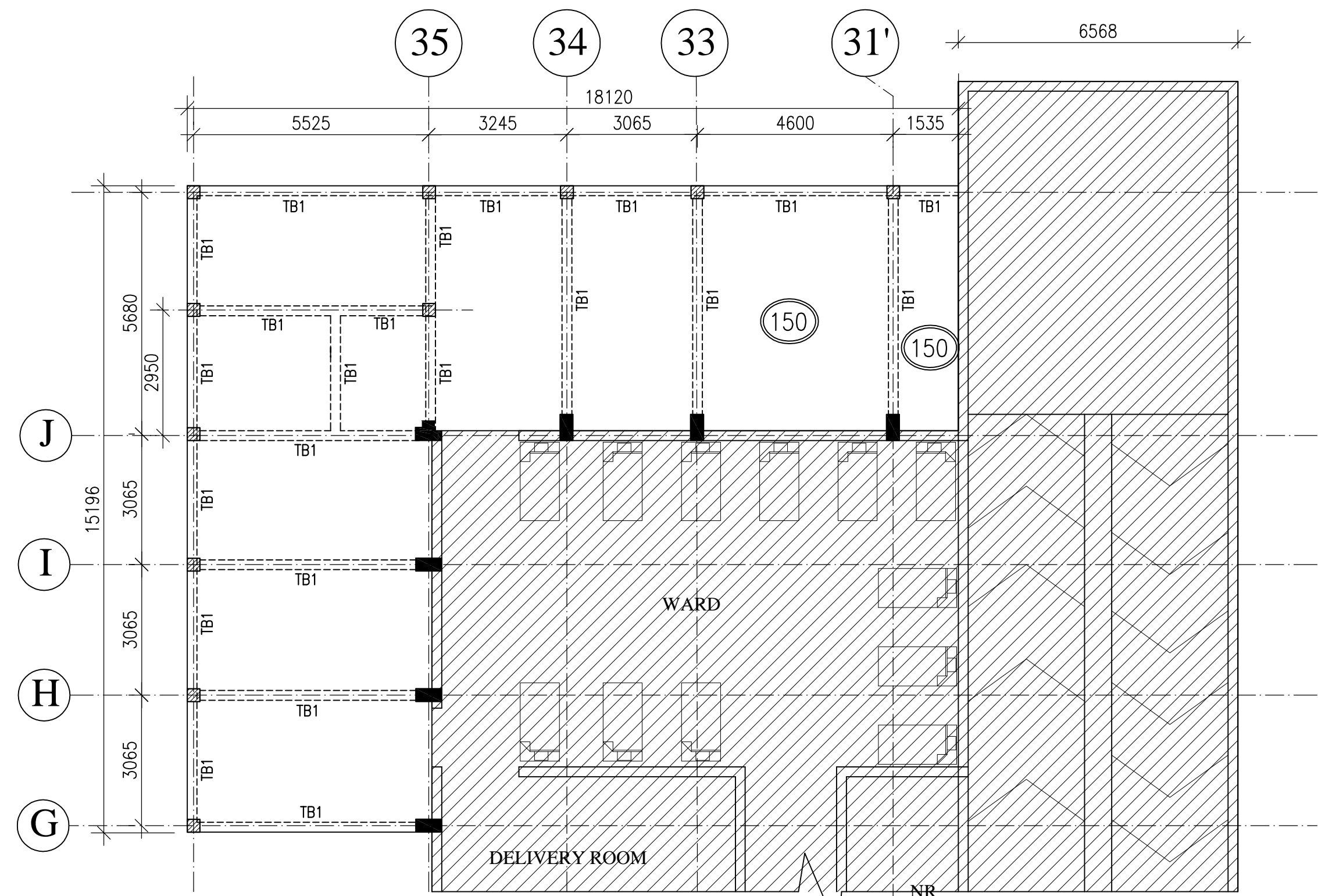
NOTES

1. ALL DIMENSIONS ARE IN mm & LVLS IN m.
2. READ IN CONJUNCTION WITH RELEVANT ARCH. DRG.
3. FINISHED FLOOR LVL TO BE CONFIRMED AS/ARCH. DRGS, THE SLAB TOP LEVEL TO BE WORKED OUT SUITABLY CONSIDERING FLOOR FINISH THICKNESS.
4. CLEAR COVER OF R/F TO BE AS BELOW:-
FOUNDATION = 50mm
COLUMN = 40mm
BEAM = 25mm
SLAB = 20mm
5. CONC. MIX. TO BE M-25 FOR ALL RCC WORK AS PER IS:456-2000
6. ALL R/F BARS TO BE Fe415 Mpa. HYSD OR TMT STEEL AS PER IS:1786.
7. ALL LAP LENGTHS = 50xSMALLER BAR ϕ . ALL LAPS TO PLANNED SUITABLY AS PER SITE REQUIREMENT.
8. DEVELOPEMENT LENGTH = 50xBAR ϕ .



BEAM SCHEDULE:-

BEAM MKD.	SIZE
TB1	230x300



REV	DATE	DESCRIPTION
0		

REVISION

PROJECT

PROPOSED
KALPANA CHAWI
GOVERNMENT MEDICAL
COLLEGE AT KAR
HARYANA

TITLE

NEW
EXTENSION

TERRACE LEV BEAM FRAMING PLAN

HSCC/		Drawing No.	RE
HSCC/ JOB No.	1:75 SCALE	DEC	DATE
APPROVED	REVIEWED	PRE	

HSCC INDIA LTD.
A GOVERNMENT OF INDIA ENTERPRISE

HSCC
NEW DELHI INDIA

A pdf writer that produces quality PDF files with ease!
 Produce quality PDF files in seconds and preserve the integrity of your original documents. Compatible across nearly all Windows platforms. Simply open the document you want to convert, click 'print', select the "Broadgun pdfMachine printer" and that's it! Get yours now!